

Why SECO

SECO MANUFACTURING

For decades, SECO Manufacturing Co., has stayed on the cutting edge of designing and manufacturing tools and accessories for surveying, construction, utilities and other industries that use GPS/GNSS technology.

From instrument tripods, and prism assemblies, to survey poles and leveling rods, SECO products are made to last no matter the field conditions. SECO also makes brackets and cradles for all the current handhelds on the market.

SECO enjoys a global reputation for innovation and quality because we control each phase of product manufacture. We maintain an on-site manufacturing facility featuring state-of-the-art equipment to make certain that all products are made to meet SECO's strict quality standards. SECO quality is so well recognized worldwide that many key surveying and construction manufacturers ask SECO to produce their own branded accessories. This has developed an important high-end OEM market, respected above the low cost / low quality manufacturers established in Asia. For years, the "Manufacturing by Seco" label has been recognized for quality that has never been surpassed.



The SECO facilities at Redding, CA.

SECO product managers are known for coming up with solutions for any kind of field requirement to meet customer needs. SECO products are available through dealers in almost every continent.

Precision manufacturing, quality focus, and skilled workmanship provide consistency to always meet and exceed customers' expectations. SECO's continued goal is to be the best accessories supplier for the surveying and construction markets. This ongoing mission ensures that investing in SECO brand products will remain the smartest investment for productivity and longevity in the field.

SECO, based in California, USA, with facilities in Redding, Tecate, CA and Mexico, controls all facets of its manufacturing business. SECO's 82,500 square-foot manufacturing plant in Redding houses our company headquarters, customer service team, engineering, research and development, and a complete manufacturing facility. The facilities include anodizing, electrostatic powder-painting, and silk-screening departments, as well as a state-of-the-art machine shop.

Rounding out the SECO inventory, we also offer entry-level third-party manufactured accessory products for those customers who do not have the budget or need for long-lasting SECO manufactured products.

Check out Surveying.com, follow us on Twitter, Facebook and LinkedIn, and contact SECO for all your field accessory needs!

New Products

CHECK OUT OUR NEW PRODUCTS

Scan the QR code below to see all the new and exciting product offerings from SECO Manufacturing



Note: Inventory subject to change without notice.

Refer to SECO's website at Surveying.com for the latest product information.



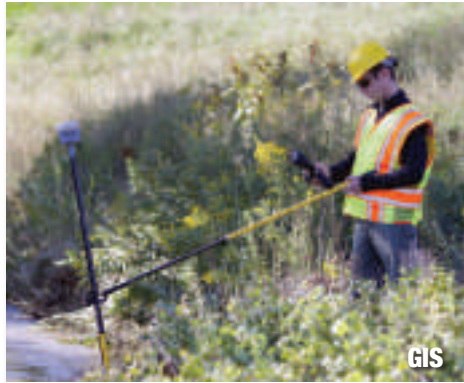
GNSS



Land Surveying



Construction Site Prep



GIS



Mining, Tunneling,
Monitoring and Rail



Agriculture

CONTENTS

GNSS Accessories	5-14	Laserline Rods	52-53
Ground Control	15	Lightweight Aluminum Pole, Measuring Tapes, Rulers, Cases,	54-56
Vehicle Accessories	16-17	Magnetic Locators and Gopher Pole	
Vials and Levels	18	Stream Gauges and Supplies	56-57
Laser Scanner Accessories	19-21	Hand Level	57
Robotics and Specialty Prism Poles	21-23	Optical Instruments	58-59
Prism Poles, Rods and Accessories	24-27	Rebar Bolts, Wall/Column Clamps and Brackets	60-61
Prism Pole Bipods & Tripods	28-29	ANSI/ISEA Class Safety Utility Vests	62-64
Prisms and Assemblies	30-34	Hydration Backpack, Bags and Cases	65-70
Prism Systems, Tilting, Mini, Sliding and Pin Pole Kits	35-36	Magnetic Nails	71
Monitoring Prisms and Accessories	37-40	Flagging Dispenser and Marker	71
Traverse Kits	40	Miscellaneous Field Accessories	72
Tribrachs and Adapters	41	Rite in the Rain	73
Tri-Max Tripods	42-43	RS Surveying Accessory System	74
Instrument Tripod and Accessories	44-47	Index by Part Number	75-77
Leveling Rods, Accessories and Brackets	48-51	Notes	78-79

Tripods: GNSS/MC

Standard and Heavy Duty, with telescoping legs



FEATURES & BENEFITS

- ▶ 5119-00 version offers dual graduations, collapsible center staff with a quick clamp and/or screw clamp (see table) and includes removable 5/8 x 11 adapter, and an on-board compass
- ▶ Both the 5115-00-XXX series and the 5119 series

- have a fixed-height, 2-meter center staff that rotates 360° for calibrating the included 8-minute vial
- ▶ All aluminum hardware is anodized black for long life
- ▶ 5119-10 features large telescoping legs (1.25 to 1.5 inch diameters) feature adjustable handle levers on the leg pivots and a large

- 6-inch diameter round head which easily holds lasers or robots
- ▶ All three tripods feature extendable electrostatically powder painted legs and include replaceable points

PART NO.	LOCKING	HEIGHT	COLLAPSES	COLOR	WEIGHS	
5115-00-FLY	Quick Clamp	2 m	2 m	Flo Yellow	15.00 lb (6.80 kg)	
5115-00-YEL	Quick Clamp	2 m	2 m	Yellow	15.00 lb (6.80 kg)	
5119-10-FLY	Screw Clamp	1.5, 1.8, 2 m	55 inches (1.4 m)	Flo Yellow	20.00 lb (9.07 kg)	
5119-10-YEL	Screw Clamp	1.5, 1.8, 2 m	55 inches (1.4 m)	Yellow	20.00 lb (9.07 kg)	
5119-00-FLY	Quick Clamp/Screw Clamp	1.5, 1.8, 2 m	50 inches (1.27 m)	Flo Yellow	15.00 lb (6.80 kg)	
5119-00-FOR	Quick Clamp/Screw Clamp	1.5, 1.8, 2 m	50 inches (1.27 m)	Flo Orange	15.00 lb (6.80 kg)	
5119-00-YEL	Quick Clamp/Screw Clamp	1.5, 1.8, 2 m	50 inches (1.27 m)	Yellow	15.00 lb (6.80 kg)	

Network Adapters

Professional Stainless Steel 303 CORS monument adapters



FEATURES & BENEFITS

- ▶ Adapters in the 2072-Series have 3.20-in (8.19-cm) diameters and overall heights of 3.036-in (7.71-cm)
- ▶ Adapters are leveled by three screws with a tilt range +/- 7°
- ▶ Made of 303 SS and brass

- ▶ Includes a removable brass 5/8 x 11 male stud that is adjustable in azimuth and held in location by two set screws
- ▶ The axis height is engraved on the outside of the monuments

- ▶ Height above the pivot point to stud shoulder is 1.37-in (3.50-cm)
- ▶ Height below the brass 5/8 stud to shoulder is 0.463-in (1.18-cm)

PART NO.	FITS	COMPATIBLE WITH	WEIGHS	
2072-30	MPT 1-1/2 x 11-1/2 TPI	1.5-inch pipe	5.50 lb (2.50 kg)	
2072-31	MPT 2 x 11-1/2 TPI	2-inch pipe	6.60 lb (3.00 kg)	
2072-32	MPT 3-1/2 x 8 TPI	3-inch pipe	6.90 lb (3.10 kg)	
2072-33	MPT 5/8 x 11 TPI	any female 5/8x11	6.20 lb (2.80 kg)	
2072-050	40-minute leveling vial	any female 5/8x11	0.30 lb (0.14 kg)	

Radio Antenna Tripod



FEATURES & BENEFITS

- ▶ Radio antenna tripod with antenna mast gets your radio antenna to the desired height
- ▶ Telescoped to 7.5-ft (2.3-m) and the tripod can be set to 5.5-ft (1.7-m) for a total elevation of 13-ft (4-m)

- ▶ Aluminum with a male 5/8 x 11 tip
- ▶ Hardwood/Fiberglass tripod is SECO's 5302-13-BLK
- ▶ Aluminum tripod is SECO's 5301-21-ORG

- ▶ The antenna mast can be purchased separately to convert your own heavy-duty tripod as well
- ▶ SECO's 5301-21-ORG Weighs 19.00 lb (8.62 kg)

5561-20 — Radio Antenna Mast Assembly
5300-11 — Hardwood/Fiberglass
5300-12 — Aluminum (shown)

5301-21-ORG — Aluminum
5302-13-BLK — Hardwood/Fiberglass

MagPad™

Whether you use a smartphone or a field tablet, our new MagPad™ takes a sturdy grip to a whole new level with powerful magnets.



FEATURES & BENEFITS

- ▶ Device plate 2.35" square / 4.4" square
- ▶ Self aligning magnets and tapered pocket for secure hold
- ▶ Horizontal and vertical alignment

- ▶ Plate is adhesive backed with 3M VHB. Weather tested to ensure security over time and in all environments
- ▶ Designed for the industries heaviest and most rugged tablets

- ▶ Pole bracket provides secure, fast, clamping with only a few turns.
- ▶ Pressure distributing clamp provides a secure, non-slip hold without damaging your pole.

C400 — Smartphone Size MagPad™
C500 — Tablet Size MagPad™

Hands Free Tablet Harnesses

Provide Secure Hands-free Operation During Field Use



FEATURES & BENEFITS

- ▶ When purchased with the correct tablet bracket, each of these harnesses provide reliable hands-free operation
- ▶ Over one shoulder model allows for easy on/off operation (5200-95)
- ▶ Two-shoulder model allows for tighter movement and helps reduce fatigue for day-long operation (5200-96)

- ▶ Ball-and-Socket designs allows a tablet to be in multiple positions and very easy to adjust
- ▶ Mounts to tablet bracket using standard 1-1/2 inch ram ball connection
- ▶ 5200-95 and -96 come with 1-1/2 inch RAM ball
- ▶ Mount is made from a 0.080-inch (2.03-mm) black powder-coated aluminum sheet metal
- ▶ Weights: 5200-95 1.95 lbs,

- ▶ 5200-96 1.9 lbs
- ▶ Tablet brackets allow all ports, connections, and antenna to be accessible with the bracket attached

APPLICATIONS

- ▶ GNSS/Robotic surveying
- ▶ Construction Layout
- ▶ Road and highway surveys
- ▶ GIS Surveys

FOR TABLETS THAT HAVE THE QUICK RELEASE BRACKET ATTACHED

BRACKET PART NO.	FIT	
5200-39-051	Yuma 2/Yuma 7/T-7	
5200-40-051	Kenai/T-10	
5200-42-051	FZ-G1 With Radio	
5200-44-051	TSC7/Ranger7	

COMPLETE WITH TABLET BRACKET AND RAM LINK

BRACKET PART NO.	FIT	
5200-29-051	FZ-M1	
5200-30-051	FZ-G1/CS35	
5200-31-051	Getac T800	
5200-35-051	Tesla, Mesa 2/3/FC 5000/RT3/4	
5200-37-051	Yuma 2, T-7, 7" Rugged Tablet	
5200-38-051	Kenai, 10" Rugged Tablet	
5200-41-051	FZ-G1 with Radio	
5200-44-051	TSC7/Ranger7 (RAM 1.5 inch)	

Note: Tablet not included. Brackets sold separately.



5200-95 — One Shoulder Tablet Harness
5200-96 — Two Shoulder Tablet Harness
5200-39-052 — Quick Release Bracket Adapter

Pole Clamp: Ball and Socket Tablet

Virtually unlimited positions on the pole keeps the glare off the collector



FEATURES & BENEFITS

- ▶ Pole Clamp locks securely to the pole, no slipping!
- ▶ All ports, connections, and camera are accessible and usable with the bracket attached

- ▶ Easy "snap in/out" design holds the tablet securely
- ▶ Compatible with add-on keyboard and extended battery
- ▶ Made from a single, solid 0.080 inch (2.03 mm) aluminum sheet metal

- ▶ Features ram ball links which allow many positions
- ▶ The 5200-35 features a 1-inch ram ball – the Ball-and-Socket versions allow the data collector to be in more positions

PART NO.	WORKS WITH	
5200-30	Panasonic FZ-G1/Leica CS35 (Not for Radio Models)	
5200-31	Getac T800	
5200-35	Tesla, Mesa 2/3, FC 5000, RT3/4	
5200-41	FZ-G1/CS35 with Radio, Ram	

Cradles: Claw Ball and Socket

Design your own custom solution with one bracket and one cradle



FEATURES & BENEFITS

- ▶ These Claw™ clamps are made of durable anodized aluminum
- ▶ The Claw technology allows maximum tightening without crushing

- ▶ Features a 1-inch ram ball – the Ball-and-Socket versions allow the data collector to be in more positions

- ▶ Use with 5200-201 Ball and Socket Link, and 5200-160 or 5199-052 Pole Clamp

PART NO.	WORKS WITH	TYPE	
5200-16-050	TSC3, Ranger 3 Series	Claw	
5200-17-050	Mesa/Tesla	Snap In/Out	
5200-29-050	Panasonic FZ-M1, B2	Snap In/Out	

Pole Clamp: Tablet Quick Release

Secure connection to your survey pole and tablet during field use



FEATURES & BENEFITS

- ▶ Pole Clamp locks securely to the pole, no slipping!
- ▶ Tilting Feature with three positions, +10, +30 or +50 degrees

- ▶ Quick Release from Pole Clamp for taking photos, etc. and also allows Landscape or Portrait orientation of the Display
- ▶ All ports, connections, and camera are accessible and usable with the bracket attached

- ▶ Easy "snap in/out" design holds the tablet securely
- ▶ Compatible with add-on keyboard and extended battery
- ▶ Made from a single, solid 0.080 inch (2.03 mm) aluminum sheet metal, powder-coated black

PART NO.	MODEL	TABLET SIZE	
5200-32	Panasonic FZ-M1	7 inch (17.78 cm) tablet	
5200-33	Panasonic FZ-G1/Leica CS35	10 inch (25.4 cm) tablet	
5200-41	FZ-G1 with Radio	10 inch (25.4 cm) tablet	
5200-42	Panasonic FZ-G1/Leica CS35 with Radio	10 inch (25.4 cm) tablet	
5200-43	T-10 with Radio Quick Release	10 inch (25.4 cm) tablet	

Claw Cradles: Quick Release

Design your own custom solution with one bracket and one cradle



FEATURES & BENEFITS

- ▶ The Claw™ is a clamping system featuring an innovative clamping device that keeps your expensive data collecting hardware snug

- ▶ on the pole where it belongs without crushing it
- ▶ The Claw cradles and clamps are made of durable anodized aluminum for years of trouble-free use in the field

- ▶ Quick-Release cradles plug directly in to Quick Release Pole Clamps

PART NO.	WORKS WITH	
5200-050	FC 2500	
5200-058	FC-200, FC-250	
5200-059	Nomad 800-900 Series	
5200-062	Carlson Surveyor, Surveyor +, GIS-1	
5200-064	Geo 6000 Series, Geo 7X	
5200-065	TSC3, TSC7, Ranger 3 Series	
5200-070	Juno 5 / Juno T41 Series, Slate	
5200-072	Mesa Tesla	
5200-073	Archer 2, Mini2, FC 500	
5200-074	Allegro 2, Allegro 3, Surveyor 2	
5200-075	Nautiz X8, Nautiz X9	
5200-076	Panasonic Toughpads FZ-M1, B2 (Not Claw – “Snap in”)	
5200-077	Mesa 2/3, FC 5000, RT3/4 (Not Claw – “Snap in”)	
5200-082	Ram Ball to Quick Release Adapter	

Quick Release Cradle



5198-086

FEATURES & BENEFITS

- ▶ 5198-086 cradle requires Leica pole bracket, any

- ▶ model. This modifies the Leica pole bracket to work with SECO poles.

- ▶ Requires a SECO quick-release pole bracket (See Page 9)

5198-086 — Quick Release Cradle for Leica Pole Bracket

Ball-and-Socket and Claw Accessories

Perfect for creating a custom solution

- ▶ Fits any standard instrument tripod
- ▶ Use with a 5200-201 Ball-and-Socket Link and a Ball-and-Socket Cradle (designed for your data collector) for a complete system



5199-051 — Tripod Mount

- ▶ Fits any standard instrument tripod
- ▶ Use with a 5200-201 Ball-and-Socket Link and a Ball-and-Socket Cradle (designed for your data collector) for a complete system



5199-054 — Suction Cup (temporary mount)

- ▶ This adapter lets you make the most out of Seco's two bracket styles.
- ▶ The 1" RAM ball-and-socket combination gives you nearly unlimited possibilities for positioning your controller.
- ▶ The Quick-Release connector is the fastest way to go when you have to frequently move your controller.



5200-082 — 1" Ram Ball to Quick Release Adapter

- ▶ Use the Ball-and-Socket Link for your custom solution
- ▶ Fits the 1-inch ram ball on cradles and clamps



5200-201 — Ball-and-Socket Link

- ▶ Mount your data collector or controller to this ball clamp and the handle bars of your ATV



5199-050 — ATV Ball Clamp

- ▶ Pole Clamp with 1-inch (32 mm) Ram Ball
- ▶ Fits poles with an outside diameter of 0.75-inches to 1.5-inches



5199-052 — Ram Ball Clamp Mount

Pole Clamps and Cradles

Design your own custom solution with clamp and cradle



FEATURES & BENEFITS

- ▶ Original Open-Style Pole Clamp technology for a complete solution
- ▶ Use a Claw Quick-Release cradle or clamp for a complete solution

- ▶ Made of black anodized aluminum
- ▶ Depressing the quick-release button will allow the Claw Quick-Release cradle or clamp to rotate in to a comfortable position for reading the data collector or controller

- ▶ Features a quick-release button and a stainless steel clamp screw that attaches to the pole
- ▶ Designed for standard poles or rods with a 0.75 to 1.25-inch OD

PART NO.	Quick Release Open-Style Clamps (for 1.25-inch OD pole)	
5198-052	Plain	
5198-054	40-minute Vial	
5198-055	Compass	
5198-056	Compass and 40-minute Vial	
5198-059	0.15 x 0.92-inch Slot	
5198-152	For 1.5-inch OD Pole	
5198-153	Battery Slot with Quick Release	
PART NO.	Claw Ball-and-Socket Clamps (for 1.25-inch OD pole)	
5200-160	Plain with 1" Ball	
5200-164	With Compass	
5200-165	With 40-minute Vial and Compass	
5200-166	Plain with 1.5" Ball	
PART NO.	Claw Quick Release Clamps (for 1.25-inch OD pole)	
5200-150	Plain	
5200-151	With 40-minute Vial	
5200-152	With 20-minute Vial	
5200-154	With Compass	
5200-155	With 40-minute Vial and Compass	
PART NO.	Quick Release Cradles	
5198-073	Nautiz N7, DAP 9800, SDR33, Titan	
5198-081	PDA	

Claw Cradle Assembly for TSC7/Ranger7



FEATURES & BENEFITS

- ▶ New Claw design for the TSC7/RANGER7 Controller
- ▶ 5200-079 with 5200-167 is a complete assembly 5200-45
- ▶ The 5200-45 is also compatible with the TSC3/Ranger3 handheld, for those wanting a more heavy-duty claw-clamp solution with more tilt positions on the pole
- ▶ Includes replaceable silicone pads that hold the controller

- ▶ securely
- ▶ This new design utilizes our stronger quick release that we use on heavy tablet pole brackets.
- ▶ All machined anodized aluminum and stainless steel construction
- ▶ Pole Clamp fits all standard 1.25" diameter poles
- ▶ Pole clamp has six tilt positions from vertical to horizontal of the display

5200-45 — Claw Cradle Pole Clamp System
5200-079 — Claw Cradle Assembly for TSC7/Ranger7 & TSC3/Ranger3
5200-167 — Pole Clamp



Claw Cradle Assembly for TSC5



FEATURES & BENEFITS

- ▶ New Claw design for the TSC5 Controller
- ▶ Made of durable machine-anodized aluminum and stainless steel construction for years of trouble-free use in the field
- ▶ Includes replaceable silicone pads that hold the controller securely

- ▶ This new design utilizes SECO's stronger quick release that we use on heavy tablet pole brackets
- ▶ Pole Clamp fits all standard 1.25 inch diameter poles
- ▶ Pole Clamp has six tilt positions from vertical to horizontal of the display

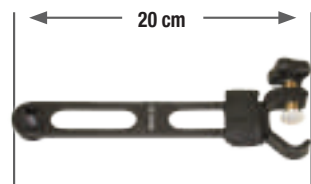
- ▶ Assembly weighs only 0.95 lb (0.43 kg)
- ▶ Component 5200-080 (Claw Cradle) weighs 0.04 lb (0.18 kg)
- ▶ Component 5200-167 (Pole Clamp) weighs 0.55 lb (0.25 kg)

5200-46 — Claw Cradle Pole Clamp System Assembly for TSC5/Ranger5
5200-080 — Claw Cradle
5200-167 — Pole Clamp



Tripod Data Collector Brackets

- ▶ The open clamp attachment allows quick and easy connection to the pole; it connects to 1-to-1.25-inch (25.4 to 31.8-mm) OD poles
- ▶ Brass male 5/8 x 11 captive stud is easily removed for direct attachment of the radio antenna to the bar
- ▶ Includes a non-slip Velcro® cable strap to help manage radio cables
- ▶ Weighs 0.22 lb (0.10 kg)



2133-03 — Antenna Bracket

- ▶ Bracket holds a radio antenna securely to a tripod leg
- ▶ The heavy-duty bracket makes plumbing the antenna easy
- ▶ Fits all full-size and heavy-duty tripods and uses a 1/2-inch long, 5/8 x 11 male stud to secure the antenna or extension (tripod sold separately)
- ▶ Can be used with the SECO Six Foot Snap-Lock Radio Antenna Pole (5139-02, page 14) or any extension with a male/female 5/8 x 11 connection
- ▶ Weighs 1.55 lb (0.70 kg)



2133-05 — Radio Antenna Bracket for Tripod

- ▶ Easy installation and removal
- ▶ Adjust location on tripod leg for your convenience
- ▶ Powder painted aluminum
- ▶ Weight 0.40lbs / 0.18kg



5196-22 — Tripod Hook TSC7/Ranger 7, TSC3/Ranger3 & TSC5/Ranger5

- ▶ Designed to fit precisely on the back of the controller
- ▶ Works with most heavy-duty tripods that feature a connecting bar on the hinge area



Tripod Hook Brackets Designed for
5196-17 — Nomad
5196-18 — TSC3 or Ranger 3
5196-19 — Mesa Tesla
5196-20 — Archer 2

- ▶ Holds the Allegro 1-3, Archer®, Explorer, Recon® or Jett® ace



5196-07 — Tilted Bracket

- ▶ Easily holds a laptop computer
- ▶ Measures: 13 x 10.25 in (33 x 26.04 cm)



5196-02 — Laptop Bracket

Two-Piece GNSS Rover Rods

Two-piece is easy to set up and convenient to store and transport



FEATURES & BENEFITS

- ▶ Lightweight two-piece rover rods come in aluminum or carbon fiber and feature 5/8 x 11 tips (5125-01-YEL features

- a quick-release adapter) and 40-minute vials
- ▶ Outer graduations options are 10ths/100ths (GT), metric (GM) or Quick Release (QR)
- ▶ 5125-06-YEL and 5128-08

- feature a cable management slot measuring 0.625 x 1.6-in to hide cables
- ▶ Order 8162-00-ORG for carrying case

PART NO.	POLE	TIP	CABLE SLOT	OUTER GRADS	LENGTH	WEIGHS
5125-00-FLY	Aluminum	5/8 x 11	No	10ths/100ths (GT)	2 meters	3.00 lb (1.36 kg)
5125-00-YEL	Aluminum	5/8 x 11	No	10ths/100ths	2 meters	3.00 lb (1.36 kg)
5125-01-YEL	Aluminum	Quick Release	No	None	2 meters	3.00 lb (1.36 kg)
5125-06-YEL	Aluminum	5/8 x 11	Yes	10ths/100ths (QR)	2 meters	3.00 lb (1.36 kg)
5128-00	Carbon Fiber	5/8 x 11	No	10ths/100ths (GT) or Metric (GM)	2 meters	1.90 lb (0.86 kg)
5128-08	Carbon Fiber	5/8 x 11	Yes	10ths/100ths (QR)	2 meters	1.42 lb (0.64 kg)

Prism Adapters, Tips and Topo Shoes

- ▶ Adapts Swiss-style snap-on prisms to 5/8 x 11 tribrach adapter or prism pole
- ▶ Weighs 0.06 lb (0.03 kg)



2080-00 — Wild Prism Adapter
2080-SS — Wild Prism Adapter (Stainless Steel)

- ▶ 5/8 x 11 Female to 1/4 x 20 Female Adapter
- ▶ 5/8 x 11 Male to 1/4 x 20 Male Adapter
- ▶ 1/4 x 20 Male to 5/8 x 11 Male Adapter



2131-00 — Prism Pole Adapter - Male
2131-01 — Prism Pole Adapter - Female
2131-02 — Prism Pole Adapter - Male

- ▶ Weighs 0.20 lb (0.09 kg)

- ▶ The Delrin® Adapter can be used when you want to increase the outside diameter (OD) of a pole from 1-inch to 1.25-inches or if you have a 1 inch OD pole and want to use a Claw™ pole clamp
- ▶ Can be used with Quick-Release Claw Cradles and Clamps or the Ball-and-Socket Claw Combo
- ▶ Weighs 0.03 lb (0.01 kg)



D11145 — Delrin 1-inch Pole Claw Clamp Adapter

- ▶ 5/8 x 11 Double Male Adapter
- ▶ Weighs 0.06 lb (0.03 kg)



5180-00 — Double Male Adapter

- ▶ 5/8 x 11 Double Female Adapter
- ▶ Weighs 0.08 lb (0.04 kg)



5181-00 — Double Female Adapter

Telescopic Carbon Fiber Rover Rods

Carbon fiber rover rods are 30% lighter



FEATURES & BENEFITS

- ▶ Designed so the GNSS surveyor has all the features needed in a single rod
- ▶ Zero height, reads direct

- ▶ The included pin can lock the length of the rod at set points
- ▶ TLV™ locking mechanism comes standard
- ▶ Carbon fiber makes these

- rods 30% lighter
- ▶ Order 8160-00-ORG for carrying case

PART NO.	GRADS	LENGTH	Outer Grads	PIN LOCKING	WEIGHS
5129-50	Dual (10ths/2 mm)	4.48 ft (1.4 m) - 8.14 ft (2.4 m)	10ths/100ths (GT)	1.8 m, 2 m, 2.2 m	2.30 lb (1.05 kg)
5129-51	Metric/2 mm	4.48 ft (1.4 m) - 8.14 ft (2.4 m)	None	1.8 m, 2 m, 2.2 m	2.30 lb (1.05 kg)
5129-70	Dual (0.05 ft/cm)	4.69 ft (1.43 m) - 11.7 ft (3.57 m)	None	Every 20 cm	3.30 lb (1.50 kg)
5129-71	Metric	4.69 ft (1.43 m) - 11.7 ft (3.57 m)	None	Every 20 cm	3.30 lb (1.50 kg)

Snap-Lock Rover Rods

Easy set up



- FEATURES & BENEFITS**
- ▶ Includes a one-piece design and two locking systems for stability
 - ▶ Zero height, reads direct
 - ▶ The snap lock prevents slippage and the compression lock centers the telescopic inner pole and maintains straightness

- ▶ Telescoping rods include standard locking lengths and also have OPTIONAL outer graduations in metric (GM), 10ths/100ths (GT)
- ▶ Your choice of either aluminum or carbon fiber rod includes a 40-minute vial
- ▶ Order 8160-00-ORG for standard case
- ▶ Order 8151-02-FLY system bag (tripod or bipod)

PART NO.	POLE	OPTIONAL OUTER GRADS	LOCKING LENGTHS	WEIGHS	
5125-20-FLY	Aluminum	10ths/100ths (GT)	2 m	2.30 lb (1.05 kg)	
5125-20-YEL	Aluminum	10ths/100ths (GT)	2 m	2.30 lb (1.05 kg)	
5125-20-FOR-GT	Aluminum	(GT)	2 m	2.30 lb (1.05 kg)	
5125-22-FLY	Aluminum	10ths/100ths (GT)	2, 1.8, 1.6 m	2.30 lb (1.05 kg)	
5128-20	Carbon Fiber	10ths/100ths (GT), Metric (GM)	2 m	1.60 lb (0.73 kg)	
5128-22	Carbon Fiber	10ths/100ths (GT) or Metric (GM)	2, 1.8, 1.6 m	1.60 lb (0.73 kg)	

Aluminum Pole Series with Locking Pins, Adapter

- ▶ Extends to 2.6M
- ▶ 0 Height, graduated in centimeters
- ▶ Locking pin holes at 1.8M, 2.0M, 2.2M, 2.4M, 2.6M
- ▶ 40' Vial
- ▶ Weight 3.15lbs (1.43kg)



- ▶ Extends to 8.5ft
- ▶ 135MM Height, graduated in centimeters and .01ft
- ▶ Locking pin holes at 6.5FT, 7.0FT, 7.5FT, 8.0FT, 8.5FT
- ▶ 40' Vial
- ▶ Weight 3.15lbs (1.43kg)

Can easily be converted to different heights by using one of our Quick Change Pole Height Adapters

- 5512-14-FOR-GT — Robotic Model — 10ths
- 5512-14-FOR-GM — Metric Robotic Model

- 5512-13-FLY-GT — GNSS — 10ths
- 5512-13-FLY-GM — GNSS — Metric



- ▶ Adapts Swiss-style prism poles to 5/8 x 11
- ▶ Weighs 0.06 lb (0.03 kg)



- 2090-00 — Wild Prism Pole Adapter

Quick Change Prism Poles

Vials are on the locks, out of the way of instruments on the pole



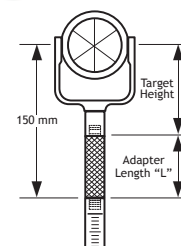
- FEATURES & BENEFITS**
- ▶ Compatible with all targets, prisms, and GNSS antennas
 - ▶ Using adapters, any of the poles in this series can be used for GNSS, robotics or total station surveys

- ▶ Metric Centimeter Graduations
- ▶ Quick conversion to another application by changing adapters (sold separately, see page 13)
- ▶ TLV™ (Twist-Lock with Vial) locking mechanism includes a 40-minute vial
- ▶ Available with locking pin & holes (the locking system guarantees no slipping of the sections)
- ▶ Carbon fiber and aluminum models offered

PART NO.	GRADUATED LENGTH	OUTER POLE	LOCKING PIN	ADAPTER INCLUDED	
5527-10	1.33 to 2.20 m	Aluminum		2090-12	
5527-13	1.33 to 2.20 m	Carbon Fiber	@ 1.4, 1.6, 1.8, 2.0, 2.2M	2090-12	
5527-15	1.51 to 2.60 m	Aluminum		2090-12	
5527-16	1.51 to 2.60 m	Carbon Fiber	@ 1.8, 2.0, 2.2, 2.4, 2.6M	2090-12	
5527-17	1.58 to 3.60 m	Carbon Fiber	@ 1.8, 2.0M	2090-12	
5527-20	1.58 to 3.60 m	Aluminum		2090-12	
5527-22	1.58 to 3.60 m	Carbon Fiber	@ 1.8 to 3.6M every .2M	2090-12	
5527-30	1.65 to 4.65 m	Aluminum		2090-12	

Quick Change Pole Adapters

Use with SECO Quick Change Prism Poles to achieve desired height



- FEATURES & BENEFITS**
- ▶ Using adapters, any of the poles in the Quick Change series can be used for GNSS, robotics or

- total station surveys
- ▶ Quick conversions to another application by changing adapters

- ▶ Simple adapter determinations: 150 mm minus your target height = length of adapter needed

Part No.	Target	Target Height	Length "L"	
2090-10	Leica GPH1	86 mm	64 mm	
2090-13	Precisional RMT	135 mm	15 mm	
2090-14	Adjustable 5/8 x 11	50 mm to 135 mm	N/A	
2090-15	GNSS Antenna	0 mm	150 mm	
2090-17	Leica Adjustable	86 mm to 125 mm	N/A	
2090-19	SECO Mini Prisms	70 mm	80 mm	
2090-21	Topcon 360 Prism	77 mm	73 mm	
2090-26	Topcon APT1/2	50 mm	100 mm	
5079-066	Laser Detector Adapter	0 mm	150 mm	

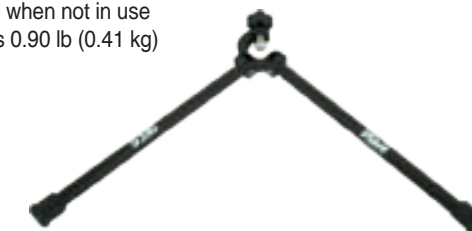
Accessories for Robotics Gear

- ▶ 5/8 X 11 aluminum prism height adapters allow the base pole to be used with other manufacturers' 360° prisms



- 2090-01 — For Topcon Users w/ 77 mm Prism
- 2090-02 — For Leica Users w/86 mm Prism
- 2090-04 — Users w/115 mm Prism
- 2090-06 — Convert Robotics to GNSS Pole (not shown)
- 2090-07 — For Topcon ATP1/2 with 50 mm Prism

- ▶ This lightweight bipod is used to keep a GNSS or robotic pole off the ground when not in use
- ▶ Weighs 0.90 lb (0.41 kg)



- 5217-15-ABK — 12 inch Open Clamp Bipod

360° Robotic Prism Assembly

Copper-coated 35 mm prisms



- FEATURES & BENEFITS**
- ▶ Includes six 35 mm prisms
 - ▶ 0 offset

- ▶ 77 mm prism height
- ▶ Copper-coated for moisture prevention
- ▶ Protective urethane bumper in yellow
- ▶ Designed for Topcon®

- 6401-00-YEL — 360° Robotic Prism Assembly

GNSS Accessories and Adapters

Converts any GNSS receiver or prism with 5/8 x 11 threads to a Quick Release

- ▶ Adapter features a female 5/8 x 11 quick release tip
- ▶ Made of anodized aluminum or optional Stainless Steel version
- ▶ Adds 23.8-mm (.937 inches) to length of rod
- ▶ Weighs 0.05 lb (0.02 kg)



- ▶ Use with GNSS Quick-Release Adapter (5187-00)
- ▶ Made of anodized aluminum or optional Stainless Steel version
- ▶ Adapter adds 76.22-mm (.937 inches) to the pole length
- ▶ Weighs 0.14 lb (0.06 kg)

- 5187-00 — GNSS Quick-Release Adapter
- 5187-00-SS — GNSS Quick-Release Adapter (Stainless Steel)

- 5111-00 — GNSS Quick-Disconnect Adapter
- 5111-00-SS — GNSS Quick-Disconnect Adapter (Stainless Steel)



GNSS Accessories and Adapters cont.

Converts any GNSS receiver or prism with 5/8 x 11 threads to a quick release

- ▶ Anti-rotation quick-release assembly
- ▶ Heavy-duty construction, will hold up to 20 lb (9.00 kg)
- ▶ Short height, only 60 mm (2.5 inches)
- ▶ Constructed of quality stainless steel and aluminum
- ▶ Easy to operate, push button release
- ▶ Includes one (1) 5111-04-051
- ▶ For extra 5111-04-051, order separately
- ▶ Weighs 0.35 lb (0.16 kg)



5111-04 — 60 mm Anti-Rotation Quick Release
5111-04-051 — Male 5/8



- ▶ Used to elevate a radio antenna to 6 feet plus the height of the tripod setup
- ▶ Snap locks into a fixed length of 6-feet (1.8-m)
- ▶ Collapses to 41.5-inches (1-meter)
- ▶ Includes a 3.5-inch (8.89 cm) OD plate adapter (5182-002) to attach to any 5/8 x 11 tripod heads
- ▶ Available in standard yellow of fluorescent yellow
- ▶ Weighs 1.40 lb (0.62 kg)



5139-02-FLY — 6 Foot Snap-Lock Radio Antenna Pole



- ▶ The 5114-series allows quicker attachment of the GNSS antenna
- ▶ The 5114-10 is an extra-tall mag mount for use when attaching GNSS receivers with downward antennas
- ▶ Both magnets have a 3.5-inch (8.89cm) diameters (5114-050 and 5114-051)
- ▶ Each single has 120 lb. of pull on 1/2" steel plate
- ▶ 5114-050 or 5114-051 weigh 0.92 lb (0.42 kg)



5114-050



5114-051



5114-01



5114-10

5114-01 — Quick-Release Triple Mag Mount
5114-02 — 5/8 x 11 Triple Mag Mount
5114-10 — Triple Mag Mount for Precisional R10
5114-050 — 5/8 x 11 Tip
5114-051 — Quick-Release Tip



- ▶ Adapter has male 5/8 x 11 threads
- ▶ Weighs 0.08 lb (0.04 kg)



5113-012 — GNSS Quick-Release Tip



- ▶ Designed to hold on to pipes, flip the switch to release its hold on metal surfaces
- ▶ Holds up to 132.20 lb (60.00 kg)
- ▶ Weighs 2.15 lb (0.98 kg)



5114-052 — Switchable Kelly Magnet Mount



- ▶ All-Terrain Rover Rod "Big Wheel"
- ▶ Measures 19 x 1-5/8-inch (48.26 cm x 3.81 cm)
- ▶ Rod and Bipod are not included with Wheel
- ▶ Perfect for RTK profiling
- ▶ Weighs 3.80 lb (1.72 kg)



5125-056 — All Terrain Wheel



Add Rover top section:
5125-057-FLY — Aluminum Rod
5128-052 — Carbon Fiber Rod



- ▶ The Satellite Stick™ XL is composed of six, 1-in (25.4-mm) OD carbon fiber sections
- ▶ Collapses to 1.23-ft (37.5-cm)
- ▶ Includes carrying bag
- ▶ Weighs 2.40 lb (1.09 kg)



5126-10 — Satellite Stick XL



Use D11145 adapter to increase diameter to 1.25" pole. Shown on page 11

- ▶ GNSS Compass for 1.25 inch (3.18 cm) diameter poles



5125-050 — GNSS Compass



Drone Ground Control Targets



FEATURES & BENEFITS

- ▶ Drone, GCP, Ground Control Points set
- ▶ Target size 18X18X1/8"
- ▶ Compatible with any drone software that recognizes GCP targets
- ▶ Numbered 1-10

- ▶ Orange/Black color
- ▶ Made from rigid weather resistant ACM Panel. (Aluminum Composite Material)
- ▶ Center hole, 1/4", to center over existing control point
- ▶ Carrying bag made of

- tough Rhinotech and Polyester materials, #10 YKK zipper
- ▶ Weight ea. 1.65 lbs.
- ▶ Weight in the included carrying bag 18.5 lbs.

No Minimum Order Quantity.
This product does not qualify for Free Freight.

6705-30 — Drone Ground Control Targets



Propeller AeroPoints Generation 2



FEATURES & BENEFITS

- ▶ Generation 2 Propeller AeroPoints offers significant upgrades.
- ▶ More Capability Without Complexity.
- ▶ A new wifi chip adds fast and reliable connectivity.

- ▶ Dual-frequency delivers shorter flight times and more robust positioning.
- ▶ An upgrade to battery performance and plug-in charging gives customers better battery life and flexibility out in the field.

- ▶ And there's a brand new AeroPoints app that doubles down on diagnostic issues and makes configuration setup a breeze.
- ▶ Free Freight does not apply.

Minimum Order Quantity 1 Set of 10.

- One-button operation:**
Just place and press. Indicator light displays current status.
- Solar powered:**
Low maintenance. Charges while running. Powerful LiFePO₄ battery for long storage life.
- Rugged and durable:**
Water-resistant. Aerodynamic shape prevents shifting and aids water runoff.
- Charging port:**
Charge up your AeroPoints in just three hours using the charging port.



- In-built GPS:**
Records positioning data every 5 seconds.
- Lightweight:**
1.5kg (3.3lb). Each set includes a carry bag for easy transport.
- Large memory:**
Store data from 100-plus flights before upload is required.
- Strategic design:**
Optimized for recognition by processing software.

AP-10PK — Propeller AeroPoints Generation 2



GNSS Bracket for Truck Door

Expands vertically from 47 to 61 inches



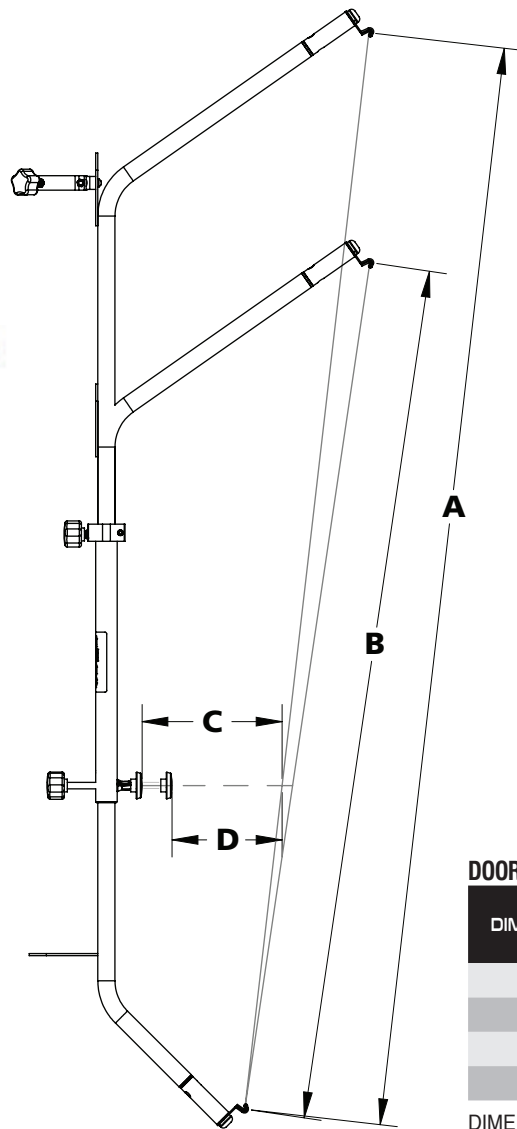
FEATURES & BENEFITS

- ▶ This bracket holds a GNSS pole to the door of your survey truck
- ▶ Easy to put on and take off and features a non-damaging mount
- ▶ 5114-20 fits most trucks

and SUVs

- ▶ The door opens and closes with the bracket attached to the door
- ▶ Bracket holds all GNSS- and RTK type poles
- ▶ Utilizes a safety strap under tension to keep it on the door

- ▶ Brackets are available to hold controller inside the cab
- ▶ Designed for off-road use
- ▶ Both products available in colors FLY, FOR, YEL
- ▶ Weighs 6.20 lb (2.80 kg)



5114-20-051
3-inch Extension Kit for Dodge and other truck models



5114-20-050
Topo Shoe Adapter

DOOR FIT DIMENSIONS

DIMENSION	5114-20-050	5114-20-051 W/ 5114-20-051 EXTENSION KIT	5114-21-054
A	4'-11" (59")	5'-3" (63")	4'-11" (59")
B	3'-10" (46")	4'-2" (50")	3'-10" (46")
C	6-3/8"	8-3/4"	7"
D	4-1/2"	6-1/2"	5"

DIMENSION TOLERANCE +/- 1/4"

5114-20-051 — GNSS Bracket for Truck
5114-21-054 — Ford F-150 2015 & 2016 models



UTV Roll Cage Transporter for GNSS Rods

Easy set-up or disassembly in 10 minutes or less



FEATURES & BENEFITS

- ▶ The RUXWORKS GNSS Rod Transporter™ fits all popular UTVs
- ▶ Mounts easily to either side and installs in 10 minutes or less

- ▶ The UTV bracket has up to 30° of tilt to set your rover rod plumb
- ▶ The pole clamp section is 63-in (160-cm) long and disassembles quickly from the UTV bracket with two quick release pins or two bolts
- ▶ The UTV bracket can stay permanently attached to the UTV
- ▶ Includes a rod clamp that fits all popular rover rods and poles with points and/or topo shoes up to a 2-1/2-inch (6.35-cm) diameter

PART NO.	FITS	WEIGHTS	
5114-40-01	Tubular Roll Cage up to 2-inches (5.08 cm)	15.00 lb (6.80 kg)	
5114-40-02	Rectangular Roll Cage up to 2 x 4-inch (5.8 x 10-cm)	15.00 lb (6.80 kg)	

ATV Bracket for TSC7 / Ranger 7



FEATURES & BENEFITS

- ▶ Works with ATVs, Snowmobiles, and Motorcycles
- ▶ Fits handlebars from 0.5 to 1.25 inches in diameter
- ▶ Also fits TSC3 / Ranger3

- ▶ Two links included for different height location. Long Link 5.625", Short Link 3.5"
- ▶ Uses 1.5" balls for stable positioning holding
- ▶ Weighs only 1.4lbs 0.64kg



5198-52 – Bracket ATV, TSC7 / Ranger 7

Plan Holder

Conveniently organize and store job site materials in your vehicle



FEATURES & BENEFITS

- ▶ Plan holder hangs on the back or front of any vehicle seat
- ▶ Slots which hold four 6-inch

- (15.24 cm) diameter plans
- ▶ Front pocket accommodates a note pad, phone, or other small items
- ▶ Organizer strap holds pens,

- pencils, markers, and other necessary tools
- ▶ Weighs 0.95 lb (0.43 kg)

8046-10-BLU — Plan Holder

Vials

Triangle Vials come with its respective vial and three M3 socket cap screws, 12mm long. The vial holder body and screws are not available as a service part.

Vial for QLV™ Locks



5801-052-40 - Vial Assembly (Complete with 40-min vial)

- 40-Minute Vial D11243 Includes screws
- 8-Minute Vial D11241 Includes screws

Vial for 1.50-inch OD Pole Levels



5070-051-40 - Vial Assembly (Complete with 40-min vial)

- 40-Minute Vial D11232 Includes screws
- 20-Minute Vial D11233 Includes screws
- 8-Minute Vial D11234 Includes screws

Vial for TLV™ Locks



5500-064-40 - Vial Assembly (Complete with 40-min vial)

- 40-Minute Vial D11232 Includes screws
- 20-Minute Vial D11233 Includes screws
- 8-Minute Vial D11234 Includes screws

Vial for 1.25-inch OD Pole Levels



5081-054-40 - Vial Assembly (Complete with 40-min vial)

- 40-Minute Vial D11243 Includes screws
- 20-Minute Vial D11242 Includes screws
- 8-Minute Vial D11241 Includes screws

Levels

- No longer need to look down while traffic is flying by — simply look through the window
- Features a soft rubber knob on an adjustable clamp that fit most survey poles and most vials
- The Heads-Up™ level is more comfortable to read; the bubble is direct reading
- Fits 1- to- 1.25-inch (25.4- to- 31.75-mm) OD poles
- Weighs 0.40 lb (0.18 kg)



5001-20 — Heads-Up™ Level - 40-minute Vial

- Features a die-cast aluminum body and adjustable vial
- Use with track light, robotic instruments, or conventional leveling
- Fits round or rectangular rods
- Feature a 40-minute sensitivity
- Weighs 0.50 lb (0.22 kg)



5001-10 — Standard Rod Level

- Features a die-cast aluminum body and adjustable vial
- Suitable for use with track light, robotic instruments, or conventional leveling
- Fits round or rectangular rods
- Fits poles with a 1- to- 1.25-inch (25.4- to- 31.75-mm) OD
- Feature a 40 minute sensitivity vial
- Weighs 0.10 lb (0.04 kg)



5001-12 — Snap-On Rod Level

Scanner Spheres



FEATURES & BENEFITS

- 100 mm OD lightweight aluminum sphere
- Precision design, allowable deviation < 1 mm

- Female 1/4 x 20 threaded mounting
- Painted non-glare white
- Weighs 0.60 lb (0.27 kg)

- Center height is 49 mm from bottom flat
- Height adapters: 6703-005 or 6703-002 see page 20

6703-001 — 100 mm Scanner Sphere

FEATURES & BENEFITS

- Lightweight aluminum scanner sphere
- 230 mm diameter, accuracy < 2 mm

- Female 5/8 x 11 threaded mounting
- Painted non-glare white
- Center height is 114 mm from bottom flat

- Weighs 2.70 lb (1.22 kg)
- For drawing carrying pouch, order PN D12560 (for 230 mm)

6704-001 — 230 mm Scanner Sphere

Sphere Adapters, Accessories and Case

- 3-7/8 inch diameter housing
- 3-1/2 inch ceramic grade 5 magnet
- 120 pounds of pull force
- Stainless steel 5/8 x 11 stud
- Height is 21 mm
- Weighs 0.95 lb (0.43 kg)



6704-002 — Magnet with 5/8 x 11 Stud

- Anodized aluminum body
- Male and female 5/8 x 11 threads
- Height is 21 mm
- Center height is 135 mm with 230 mm Sphere (6704-001)
- Weighs 0.05 lb (0.02 kg)



6704-003 — 21 mm Male and Female 5/8 x 11 Adapter

- Anodized aluminum body
- Male and female 5/8 x 11 threads
- Height is 48 mm
- Center height is 196 mm with 230 mm Sphere (6704-001) and Tribach Adapter (2070-00)
- Weighs 0.10 lb (0.04 kg)



6704-004 — 48 mm Male and Female 5/8 x 11 Adapter

- Includes three 230 mm scanner spheres in a hard case
- Includes cover bag for each sphere for insulation and scratch protection
- Airline approved shipping case
- Weighs 17.60 lb (7.98 kg)



6704-10-CASE — Carrying Case solo

D12560 — Cloth cover for the 230 mm sphere

6704-10 — Hard Case and three (3) 230 mm Scanner Spheres

- “Quick Release Adapter” specifically for Precisional TX5 and Faro Focus 3D scanners
- Quick and safe connection between the scanner instrument and a Gitzo or any tripod with a male 3/8 x 16 thread
- Rotates smoothly on Delrin® bearing for orientating the instrument
- Clamp screw is captured and protected from damage
- Anodized aluminum and stainless steel materials
- Base has a setscrew to lock base to tripod head
- Built-in 100-minute level vial on base
- Weighs 0.70 lb (0.32 kg)



6703-015 — Quick Release Adapter for Precisional TX5 and Faro Focus 3D

100 mm Sphere Prisms, Adapters, Magnets and Kits

- ▶ Lightweight aluminum sphere and ceramic grade 8 magnet
- ▶ Steel cup OD 2.03 inches
- ▶ Stainless steel 1/4 x 20 stud
- ▶ Center height: 72.5 mm
- ▶ Magnet is chrome coated
- ▶ steel cup and offers 40 pull pounds
- ▶ 100 mm OD roundness <1 mm
- ▶ 1/4 x 20 threaded mounting
- ▶ Painted non-glare white
- ▶ Weighs 0.80 lb (0.36 kg)



6703-10 — 100 mm Scanner Sphere with Magnet

- ▶ 1/4 x 20 stainless steel male stud
- ▶ 5/8 x 11 female connection
- ▶ Height is 23.5 mm
- ▶ Height to target with 100 mm sphere achieves 72.5 mm
- ▶ Weighs 0.05 lb (0.02 kg)



6703-005 — 5/8 x 11, 72.5 mm HT Adapter

- ▶ 25 mm silver-coated prism
- ▶ -17.5 mm offset
- ▶ Length is 72.5 mm prism center to connections
- ▶ 5/8 x 11 female and magnetic connection
- ▶ Weighs 0.75 lb (0.34 kg)



6703-012 — 72.5 HT Prism Assembly with Magnet

- ▶ Rubber tips on stainless-steel legs prevent scratching of delicate surfaces
- ▶ Folding legs make tripod very portable
- ▶ Made of anti-corrosive materials
- ▶ Steel-plated washer atop tripod easily attaches to scanner sphere
- ▶ Height is 39 mm
- ▶ Weighs 0.15 lb (0.07 kg)
- ▶ (Sphere not included)



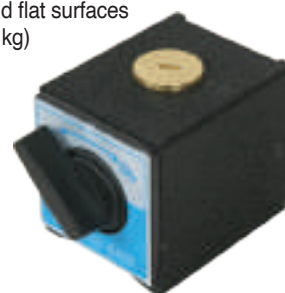
6703-008 — Scanner Sphere Mini Tripod

- ▶ Compatible with the TX5
- ▶ Width is 3.12 in (79.3 mm)
- ▶ Height is 34 mm
- ▶ Weighs 1.75 lb (0.80 kg)



2070-02 — 3/8 x 16 Tribach Adapter

- ▶ Brass washers centers to 6703-002 magnet base connection
- ▶ 90 pounds of pull force
- ▶ Connects to pipes and flat surfaces
- ▶ Weighs 0.90 lb (0.41 kg)



6703-013 — V-Base with Washer Magnet

- ▶ Zinc-plated steel material
- ▶ 1.90 in (48.26 mm) in diameter
- ▶ Thickness is 0.098 in (2.5 mm)
- ▶ 0.24 in (6 mm) countersink hole connection
- ▶ Weighs 0.05 lb (0.02 kg)



6703-007 — Wall Washer Adapter

- ▶ Pelican® hard shell case features custom foam keeping spheres, prisms, adapters, etc., safe and secure
- ▶ 6703-11 includes ten 100 mm scanner spheres and ten magnets with 1/4 x 20 studs
- ▶ Dimensions: 24.5 x 19 x 9 in (62.3 x 48.3 x 22.9 cm)
- ▶ Weighs 22.00 lb (10.00 kg)



6703-11 — 10 piece 100 mm Sphere Kit includes Hard Case

- ▶ Stainless steel 1/4 x 20 stud
- ▶ Chrome-plated steel cup
- ▶ 2.03 inch OD steel cup
- ▶ Grade 8 ceramic magnet
- ▶ Center height when using the 6703-001 is 72.5mm
- ▶ 40 pounds (18.14 kg) of pull force
- ▶ Weighs 0.20 lb (0.09 kg)



6703-002 — Magnet with 1/4 x 20 Stud

- ▶ 6703-20 includes six 100 mm scanner spheres and six magnets with 1/4 x 20 studs
- ▶ Sphere center height with magnet: 72.5 mm
- ▶ Weighs 6.60 lb (3.00 kg)



6703-20 — 6 piece 100 mm Sphere Kit includes Soft Case

- ▶ Six padded compartments (for 100 mm spheres, sold separately)
- ▶ Made from 1000D Cordura with 2 inch padded foam and includes a carrying handle
- ▶ Stowable straps (cases can connect together)
- ▶ Outside Dimensions: 16 x 11 x 8 in (40.64 x 27.94 x 20.32 cm)
- ▶ Inside Dimensions: 13 x 9.5 x 4 in (33.02 x 24.1394 x 10.16 cm)
- ▶ Weighs 2.00 lb (0.91 kg)



8082-01-ORG — Soft Case for 100 mm Scanner Spheres

- ▶ Pelican® hard shell case features custom foam keeping spheres, prisms, adapters, etc., safe and secure
- ▶ Same dimensions as 6703-11
- ▶ Weighs 14.00 lb (6.36 kg)



6703-014 — Pelican Case for 100 mm Spheres (spheres sold separately)

Scanner Targets



- FEATURES & BENEFITS**
- ▶ Adjustable tilting target, for affixing to pole top and used in multiple survey jobs.
 - ▶ Contrasting 6" (152mm) Black and White pattern

6705-10 — Target, Tilting, 6" B/W

- ▶ Matte non-glare target material
- ▶ Adjustable tilting axis
- ▶ Anodized aluminum yoke and target plate

- ▶ Axis height 135mm
- ▶ 5/8-11 threaded base
- ▶ Weight 0.90 lbs, 0.41kg



- FEATURES & BENEFITS**
- ▶ Easy-to-use self-adhesive target, which can be fixed to measuring points.
 - ▶ Ideal for monitoring work where you have to leave targets in position over long periods.

6705-20 — Target, Adhesive, 150X200mm, B/W, 10pk

- ▶ Contrasting 6" (152mm) Black and White pattern
- ▶ Matte non-glare target material
- ▶ Material is 3M 3.2-mil vinyl films with a pressure-sensitive adhesive and air release channels for easier, bubble-free application. Easy to remove, leaves no adhesive.
- ▶ Weather resistant and UV stable.
- ▶ Space to mark target ID
- ▶ Adhesive backed
- ▶ Package weight: 0.25 lbs (0.11 kg)

Carbon Fiber Robotics Poles

Features carbon fiber and TLV locking mechanism



- FEATURES & BENEFITS**
- ▶ Graduated to read direct for a 135 mm prism height
 - ▶ Adapters will achieve other prism heights
 - ▶ Carbon fiber pole offers a stainless steel pin which locks the inner pole

- ▶ Features TLV™ lock mechanism with 40-minute vial built-in
- ▶ Optional outer graduations in metric (GM) or 10ths/100ths (GT)

- ▶ Swiss Style Pole (SW) includes the 2090-10 adapter fixed to the pole
- ▶ Order 8160-00-ORG for carrying case

PART NO.	GRADS	SECTIONS	PIN LOCKING	OUTER GRADS	LENGTH	WEIGHS	
5129-52	Dual	1	Every 0.5 ft	10ths/100ths (GT)	4.97 ft - 8.53 ft	2.30 lb (1.04 kg)	
5129-53	Metric	1	Every 20 cm	Metric (GM)	1.53 m - 2.6 m	2.30 lb (1.04 kg)	
5129-72	Dual	2	Every 0.5 ft	None	5.18 ft - 11.81 ft	3.30 lb (1.50 kg)	
5129-73	Metric	2	Every 20 cm	None	1.58 m - 3.6 m	3.30 lb (1.50 kg)	
5129-52-SW	Dual	1	Every 0.5 ft	10ths/100ths (GT)	8.5 ft / 2.6 m	2.3/1.04 kg	
5129-53-SW	Metric	1	Every 20 cm	Metric (GM)	8.5 ft / 2.6 m	1.04 kg	
5129-72-SW	Dual	2	Every 0.5 ft	10ths/100ths (GT)	11.8 ft / 3.6 m	3.3/1.5 kg	
5129-73-SW	Metric	2	Every 20 cm	Metric (GM)	11.8 ft / 3.6 m	1.5 kg	

Telescopic Carbon Fiber Prism Pole

Carbon fiber poles are approximately 30% lighter than similar aluminum poles



- FEATURES & BENEFITS**
- ▶ Adjustable tip that will adjust to a prism height of 65 mm to 115 mm

- ▶ TLV locking and dual graduations and OD is 1.27 in (32 mm)
- ▶ Extends 8.53 ft (2.60 m)

- ▶ Collapses to 4.97 ft (1.51 m)
- ▶ Weighs 2.30 lb (1.05 kg)

5129-54 — Adjustable Tip Carbon Fiber Pole

Mini Poles

Compact, easy to set up, and convenient to store and transport



FEATURES & BENEFITS

- ▶ Mini poles are easy to use
- ▶ Adjustable or fixed-tip poles
- ▶ Light weight and convenient to transport and store
- ▶ 40-minute bubble vials
- ▶ Powder-coated and silk screened aluminum

PART NO.	HEIGHT	GRADS	LOCK TYPE	PRISM HEIGHT	WEIGHS	
5500-23	2.70 ft - 5.10 ft (0.82 - 1.55 m)	Dual	TLV	50 mm - 115 mm	2.30 lb (1.04 kg)	
5010-00-RED	1.28 ft (0.39 m)	N/A	N/A	N/A	1.50 lb (0.68 kg)	
5010-00-FLY	1.28 ft (0.39 m)	N/A	N/A	N/A	1.50 lb (0.68 kg)	
5010-01	4.7 inches (120 mm)	N/A	N/A	25 mm	0.40 lb (0.02 kg)	
5700-21	2.26 ft - 4.8 ft (0.7 - 1.5 m)	Dual	Quick-Release	50 mm - 115 mm	2.33 lb (1.80 kg)	

Swiss-Style QLV Prism Poles

QLV Locking Mechanisms



FEATURES & BENEFITS

- ▶ Swiss-style quick release stud Reads direct for any 86 mm height prisms
- ▶ The small-diameter, 25 mm bottom section fits Leica slide-on controller brackets
- ▶ QLV™ locking mechanisms
- ▶ Powder-coated and silk screened aluminum
- ▶ Lower lock features a 40-minute vial

Part No.	LENGTH	TIP	Type	GRADS	WEIGHS	
5802-10	8 ft	Swiss-Style	Aluminum	Dual	2.50 lb (1.13 kg)	
5802-20	12 ft	Swiss-Style	Aluminum	Dual	3.55 lb (1.61 kg)	

Swiss-Style TLV and Twist-Lock Prism Poles

Twist Lock with Vial (TLV)



FEATURES & BENEFITS

- ▶ Swiss-style tip (for 86 mm prism heights) for GPH1-type prisms
- ▶ 1.25- or 1.50-inch (31.75- or 38.1-mm) outside diameter
- ▶ Dual or metric graduations TLV™ or Twist-Lock mechanisms
- ▶ Comes in 1 or 3 sections
- ▶ The popular TLV locking system provides simple but secure locking

PART NO.	SECTIONS	LOCK STYLE	LENGTH	OD	GRADS	WEIGHS	
5501-11	1	TLV	8.53 ft - 4.97 ft (2.60 m - 1.51 m)	1.25 inch (31.75 mm)	Dual	3.30 lb (1.50 kg)	
5521-11	1	TLV	2.60 m - 1.51 m	31.75 mm	Metric	3.30 lb (1.50 kg)	
5503-30	3	Twist-Lock	15.25 ft - 5.41 ft (4.65 m - 1.65 m)	1.50 inch (38.1 mm)	Dual	7.60 lb (3.45 kg)	

Quick-Release Telescopic Prism Poles

Vials are on the locks, out of the way of the instruments on the pole



FEATURES & BENEFITS

- ▶ Quick-Release locking mechanism with 40-minute vial
- ▶ Adjustable tension via set screw in the handle and another set screw to assist in keeping the spring in position
- ▶ Quick-Release handle lock allows for a simple and fast setup
- ▶ Constructed of powder-coated and silk screened aluminum

PART NO.	GRADS	SECTIONS	TIP	EXTENDED	COLLAPSED	WEIGHS	
5700-10	Dual	1	Adjustable	8.53 ft (2.60 m)	4.97 ft (1.52 m)	3.30 lb (1.50 kg)	
5720-10	Metric	1	Adjustable	8.53 ft (2.60 m)	4.97 ft (1.52 m)	3.30 lb (1.50 kg)	
5700-20	Dual	2	Adjustable	11.81 ft (3.60 m)	5.18 ft (1.58 m)	5.10 lb (2.30 kg)	

TLV and Twist-Locking Telescopic Prism Poles

The popular TLV™ locking system provides simple but secure locking



FEATURES & BENEFITS

- ▶ The aluminum twisting lock with vial (TLV) pole is wear-resistant for long life
- ▶ The soft rubber knob is easy to tighten or loosen, even when wearing gloves
- ▶ TLV locks feature a convenient 40-minute vial built into the lock
- ▶ Made of quality aluminum tubing
- ▶ Powder-coated red and white
- ▶ Vials may be switched out – see page 18 for options

Part No.	SECTIONS	TIP	EXTENDED	COLLAPSED	GRADS	WEIGHS	
5500-11	1	Adjustable	8.53 ft (2.60 m)	4.97 ft (1.52 m)	Dual	3.30 lb (1.50 kg)	
5512-11	1	Fixed	8.53 ft (2.60 m)	4.97 ft (1.52 m)	Dual	3.30 lb (1.50 kg)	
5520-11	1	Adjustable	8.53 ft (2.60 m)	4.97 ft (1.52 m)	Metric	3.30 lb (1.50 kg)	
5500-21	2	Adjustable	11.81 ft (3.60 m)	5.18 ft (1.58 m)	Dual	5.10 lb (2.32 kg)	
5520-21	2	Adjustable	11.81 ft (3.60 m)	5.18 ft (1.58 m)	Metric	5.10 lb (2.32 kg)	
5500-30	3	Adjustable	15.25 ft (4.65 m)	5.41 ft (1.65 m)	Dual	7.60 lb (3.45 kg)	
5520-30	3	Adjustable	15.25 ft (4.65 m)	5.41 ft (1.65 m)	Metric	7.60 lb (3.45 kg)	

Compression Lock Telescopic Prism Poles

Constructed of brass and aluminum



FEATURES & BENEFITS

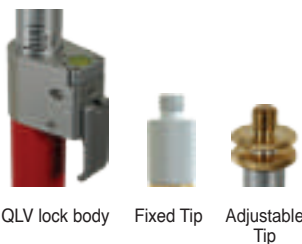
- ▶ Compression locking mechanism
- ▶ Constructed of sturdy aluminum tubing and a two-stage adjustable top-threaded tip
- ▶ Adjustable Tip
- ▶ Single (1) section pole
- ▶ Extends 8.53 ft (2.60 m)
- ▶ Collapses 4.97 ft (1.516 m)
- ▶ Dual graduations
- ▶ Finished with electrostatic powder paint coating on the outer pole and permanent silkscreened grads on the inner pole
- ▶ Weighs 3.30 lb (1.50 kg)

5600-10 — Compression Prism Pole



QLV Locking Prism Poles

Simple to adjust bubble and lever tension



QLV lock body Fixed Tip Adjustable Tip

FEATURES & BENEFITS

- ▶ The QLV™ (Quick Lever with Vial) lock allows fast, simple setups
- ▶ Simple to adjust bubble and lever tension
- ▶ Includes a lock with 40-minute level vial, adjustable, or fixed tip and your choice of dual (10ths) or metric graduations (cm)
- ▶ Easy locking
- ▶ Finished with electrostatic powder paint coating on the outer pole and permanent silkscreened grads on the inner pole

PART NO.	SECTIONS	TIP	Extends	Collapses	GRADS	WEIGHS
5801-10	1	Adjustable	8.53 ft (2.60 m)	4.97 ft (1.516 m)	Dual	2.95 lb (1.50 kg)
5813-10	1	Fixed	8.53 ft (2.60 m)	4.97 ft (1.516 m)	Dual	2.95 lb (1.50 kg)

Ultralite Prism Poles

Non-conductive fiberglass



FEATURES & BENEFITS

- ▶ The lightest pole offered by SECO
- ▶ Included in this package is Seco's patented Topo Boot®
- ▶ Reduced weight SECO TLV™ lock
- ▶ Features a 40-minute adjustable vial, a soft touch knob, and an adjustable 5/8 x 11 tip
- ▶ The inner and outer poles are constructed of lightweight nonconductive fiberglass
- ▶ Vials may be switched out – see page 18 for options

PART NO.	SECTIONS	TIP	LENGTH	VIAL	GRADS	WEIGHS
5540-10	1	Adjustable	8.58 ft (2.62 m)	40-minute	Dual	1.95 lb (0.88 kg)
5541-10	1	Adjustable	2.62 m (8.58 ft)	40-minute	Metric	1.95 lb (0.88 kg)
5540-20	2	Adjustable	11.81 ft (3.60 m)	40-minute	Dual	2.50 lb (1.13 kg)
5541-20	2	Adjustable	3.60 m (11.81 ft)	40-minute	Metric	2.50 lb (1.13 kg)
5540-30	3	Adjustable	15.27 ft (4.65 m)	40-minute	Dual	3.15 lb (1.43 kg)
5541-30	3	Adjustable	4.65 m (15.27 ft)	40-minute	Metric	3.15 lb (1.43 kg)

Contractor Series TLV Prism Poles

Import TLV™ prism poles



FEATURES & BENEFITS

- ▶ Dual-section Twist lock Prism Pole
- ▶ Aluminum outer and inner pole
- ▶ Includes 40-minute level vial
- ▶ 5/8 Adjustable Tip
- ▶ Metric Grad (cm)
- ▶ Hardened steel points
- ▶ TLV locking mechanism
- ▶ Color: Red and White
- ▶ Length 3.60 m (11.81 ft),
- ▶ Weighs 3.65 lb (1.66 kg)

PART NO.	SECTIONS	TIP	LENGTH	POLE TYPE	GRADS	WEIGHS
5530-10	1	Adjustable	8.53 ft (2.60 m)	Aluminum	Dual	2.67 lb (1.21 kg)
5531-10	1	Adjustable	2.60 m	Aluminum	Metric	2.67 lb (1.21 kg)
5530-20	2	Adjustable	11.81 ft (3.60 m)	Aluminum	Dual	3.65 lb (1.66 kg)
5531-20	2	Adjustable	3.60 m	Aluminum	Metric	3.65 lb (1.66 kg)
5530-30	3	Adjustable	15.25 ft (4.65 m)	Aluminum	Dual	5.38 lb (2.44 kg)
5531-30	3	Adjustable	4.65 m	Aluminum	Metric	5.38 lb (2.44 kg)

Contractor Series Compression Lock Poles

Traditional Compression lock import prism poles



FEATURES & BENEFITS

- ▶ These 'no-frills' imported poles are designed to give service in the field at a lower purchase price
- ▶ Aluminum outer and inner pole
- ▶ 40-minute level vials
- ▶ Adjustable tip
- ▶ Hardened steel points
- ▶ Red and white color

PART NO.	SECTIONS	TIP	LENGTH	POLE TYPE	GRADS	WEIGHS
5631-10	1	Adjustable	2.60 m (8.53 ft)	Aluminum	Metric	2.65 lb (1.20 kg)
5631-20	2	Adjustable	3.60 m (11.81 ft)	Aluminum	Metric	3.45 lb (1.56 kg)
5631-30	3	Adjustable	4.65 m (15.25 ft)	Aluminum	Metric	5.00 lb (2.27 kg)

Offset Tools

- ▶ Used with total stations and prism poles to help get accurate elevation measurements in hard-to-reach places such as sewer lines
- ▶ Has an adjustable centerline, 1.60 to 1.00-ft (48.76 to 30.48-cm) in 0.20-ft (6.09-cm) increments
- ▶ Constructed of anodized 1/2 inch thick aluminum
- ▶ Includes brass male 5/8 x 11 threaded post and a stainless steel 5/8 x 11 Heli-Coil®
- ▶ Weighs 1.15 lb (0.52 kg)
- ▶ Maintains Exact Pole Elevation Readings!



5198-163 — Adjustable Offset Bar



- ▶ Perform odd setups and stay away from dangerous situations with the Offset Pole Holder Kit
- ▶ Combine the kit with any 5/8 x 11 threaded pole and a Heads-Up™ Level (PN 5001-20, page 18) for a safe and sturdy setup
- ▶ A padded case, hex wrench, and an adapter plate for instrument tripods is included
- ▶ Weighs 1.79 lb (0.81 kg)



5198-157 — Offset Pole Holder Kit



Prism Tips and Topo Shoes

- ▶ 3.37-inch (85.6-mm) steel body
- ▶ Weighs 0.30 lb (0.14 kg)



5190-00-KIT — 15 each, Prism Pole Point

- ▶ 3.37-inch (85.6-mm) steel body, removable point
- ▶ Weighs 0.30 lb (0.14 kg)



5194-00 — Prism Pole Point with Replaceable Plumb Bob Point

- ▶ 3.37-inch (85.6-mm) aluminum body
- ▶ Removable point
- ▶ Weighs 0.10 lb (0.05 kg)



5194-01 — Aluminum Replaceable Point

- ▶ 3.37-inch (85.6-mm) aluminum with steel tip (91605)
- ▶ Weighs 0.01 lb (0.004 kg)
- ▶ The topo-shoe (91601) screws over the precision point made of black nylon and increases the area of the point for the use on soft surfaces in topo shots
- ▶ Weighs 0.05 lb (0.02 kg)



91605 — Aluminum Prism Pole Point and Steel Tip
91601 — Topo Shoe

- ▶ Features an 'L-Bracket' to rest the prism pole point on and the adjustable top piece
- ▶ Convenient for adjusting and calibrating pole vials in the office
- ▶ Use the adjustable top to center your pole before adjusting the bubble
- ▶ Weighs 1.00 lb (0.45 kg)



5195-01 — Pole Peg Adjusting Jig

- ▶ Features an anodized aluminum body with Easy-to-replace steel point, PN 5194-007-KIT
- ▶ Weighs 0.16 lb (0.07 kg)



5194-03-KIT — 15 each, Prism Pole Point, Dull

- ▶ Hardened steel Dull Tip replacement point for most SECO tripods and prism pole points
- ▶ Weighs 0.06 lb (0.03 kg)



5194-007-KIT — 40 each, Prism Pole Dull Point

- ▶ Hardened steel replacement point for most SECO tripods and prism pole points
- ▶ Weighs 0.06 lb (0.03 kg)



5194-003-KIT — 40 each, Prism Pole Sharp Point

- ▶ Features an anodized aluminum body
- ▶ Easy-to-replace steel point, PN 5194-003-KIT
- ▶ Sharp Point
- ▶ Weighs 0.16 lb (0.07 kg)



5194-05-KIT — 15 each, Prism Pole Point, Sharp

- ▶ This prism allows for easy determination of right angle points or perpendicular points between two targets



4900-00 — Double Right-Angle Prism

- ▶ Stedi-Rest® fits any 1.25 to 1.5 inch (31.75 to 38.1-mm) pole and can take the place of three separate products
- ▶ Weighs 0.15 lb (0.07 kg)



91641 — Stedi-Rest®

- ▶ The Center Punch Point fits all poles or products with male 5/8 x 11 threads
- ▶ The hardened steel point will mark all metal and non-metal surfaces
- ▶ Weighs 0.20 lb (0.09 kg)



5194-10 — Center Punch Point
5194-10-002 — Replacement Point

- ▶ The point features an aluminum body and an easy-to-replace steel point
- ▶ Male 5/8 x 11 Thread
- ▶ Weighs 0.16 lb (0.07 kg)



5194-04 — Point Assembly

- ▶ 3.37-inch (85.6-mm) aluminum body
- ▶ Weighs 0.34 lb (0.15 kg)



5191-00 — Prism Pole Topo Shoe

- ▶ 3.37-inch (85.6-mm) length
- ▶ 64 mm OD with steel body
- ▶ Weighs 1.26 lb (0.57 kg)



5192-00 — Wide Base Topo Shoe

- ▶ Allows easy conversions from 'control' to 'topo' surveys



5192-02 — Topo Shoe and Point Combo

- ▶ 2-inch (50.8-mm) diameter chrome-plated steel housing with grade-8 ceramic magnet ring
- ▶ Standard topo shoe length, 3.375-inch (85.7-mm)
- ▶ Magnet has 40 pounds of pull force on 3/8-inch (9.5-mm) clean steel plate
- ▶ Female 5/8 x 11 threads are machined brass
- ▶ Black anodized aluminum alloy 6061 body
- ▶ Tilting pivot allows measurement on sloped or flat pipe surfaces
- ▶ Weighs 0.55 lb (0.25 kg)



5193-04 — Tilting Magnetic Topo Shoe

Range Pole Accessories



- ▶ The Rodrest is a self-retracting 'kickstand' for survey rods
- ▶ Activated by simply pushing down a few inches on the handle
- ▶ Weighs 1.55 lb (0.70 kg)

Pole not included.

5214-01 — Gardener Rod Rest 1.25-inch OD

Pole Extensions

Aluminum, carbon fiber or fiberglass extensions



FEATURES & BENEFITS

- ▶ The pole extensions have 5/8 x 11 female threads on

the bottom and 5/8 x 11 male threads on the top to allow more added sections

- ▶ Choose powder-painted aluminum, carbon fiber, or fiberglass

Part No.	OUTSIDE DIAMETER	LENGTH	POLE TYPE	WEIGHS	
5182-001	1 in (25 mm)	3 in (7.62 cm)	Aluminum	0.40 lb (0.18 kg)	
5132-00-ACL	1 in (25 mm)	6 in (15.2 cm)	Aluminum	0.50 lb (0.23 kg)	
5130-01-FLY	1 in (25 mm)	1 ft (30.5 cm)	Aluminum	1.00 lb (0.45 kg)	
5902-00-FLY	1 in (25 mm)	50 cm (19.69 in)	Aluminum	0.70 lb (0.32 kg)	
5131-01-FLY	1 in (25 mm)	2 ft (61 cm)	Aluminum	1.10 lb (0.50 kg)	
5901-00-FLY	1 in (25 mm)	1 meter (39.37 in)	Aluminum	1.10 lb (0.50 kg)	
5110-01-FLY	1 in (25 mm)	4 ft (1.22 m)	Aluminum	1.30 lb (0.59 kg)	
5145-00-FLY	1.25 in (32 mm)	25 cm (9.84 in)	Aluminum	0.90 lb (0.41 kg)	
5130-00-FLY	1.25 in (32 mm)	1 ft (30.5 cm)	Aluminum	1.00 lb (0.45 kg)	
5144-00-FLY	1.25 in (32 mm)	50 cm (19.69 in)	Aluminum	1.00 lb (0.45 kg)	
5131-00-YEL	1.25 in (32 mm)	2 ft (61 cm)	Aluminum	1.10 lb (0.50 kg)	
5143-00-FLY	1.25 in (32 mm)	1 meter (39.37 in)	Aluminum	1.30 lb (0.59 kg)	
5110-00-FLY	1.25 in (32 mm)	4 ft (1.22 m)	Aluminum	1.30 lb (0.59 kg)	
5110-00-RED	1.25 in (32 mm)	4 ft (1.22 m)	Aluminum	1.30 lb (0.59 kg)	
5145-03	1 in (25 mm)	25 cm (9.84 in)	Carbon Fiber	0.35 lb (0.16 kg)	
5145-02	1.25 in (32 mm)	25 cm (9.84 in)	Carbon Fiber	0.35 lb (0.16 kg)	
5144-02	1.25 in (32 mm)	50 cm (19.69 in)	Carbon Fiber	0.50 lb (0.23 kg)	
5143-02	1.25 in (32 mm)	1 meter (39.37 in)	Carbon Fiber	0.70 lb (0.32 kg)	
5130-10	1.25 in (32 mm)	0.20 meter (7.87 in)	Fiberglass	0.34 lb (0.15 kg)	

Imported Range Poles

Contractor Series of Extendible Section Poles (Replacement Points 5194-03-Kit)

- ▶ Single 4-foot (1.22-m) section range pole
- ▶ 1.13-in (29-mm) outside diameter
- ▶ With brass male/female fittings on all range poles
- ▶ Includes bag (no point included)
- ▶ Weighs 1.50 lb (0.68 kg)

5160-02-WOR — Contractor Series 4-ft Range Pole

- ▶ Two 4-ft (1.22 m) sections creating 8-ft (2.44-m) range pole
- ▶ 1.13-in (29-mm) outside diameter
- ▶ With brass male/female fittings on all range poles
- ▶ Includes point and bag
- ▶ Weighs 3.40 lb (1.54 kg)

5140-02-WOR — Contractor Series 8-ft Range Pole

- ▶ Three 4-foot (1.22-m) sections creating 12-ft (3.66-m) range pole
- ▶ 1.13-in (29-mm) outside diameter
- ▶ With brass male/female fittings on all range poles
- ▶ Includes point and bag
- ▶ Weighs 5.00 lb (2.27 kg)

5150-02-WOR — Contractor Series 12-ft Range Pole

Prism Pole Bipods & Tripods

Prism Pole Bipods And Tripods

- ▶ A surveyor can set up a free-standing GNSS antenna pole or prism pole
- ▶ Poles 1- to 1.25-inch (25.6- to 32-mm) OD attach through the open clamp
- ▶ 1.5-inch (38.1 mm) OD poles can be loaded through the top
- ▶ Legs (independently) extend to 6 feet (1.8 m)
- ▶ Collapses to 43 inches (109 cm)
- ▶ Weighs 4.25 lb (1.93 kg)
- ▶ Order bag 8180-20 and leg clips 5217-30

★ Includes No-Crush Head



5217-04-FOR — Original Thumb Release Bipod
5217-04-FLY — Original Thumb Release Bipod
5217-04-RED — Original Thumb Release Bipod
5217-04-YEL — Original Thumb Release Bipod

- ▶ A surveyor can set up a free-standing GNSS antenna pole or prism pole
- ▶ Poles 1- to 1.25-inch (25.6- to 32-mm) OD attach through the open clamp
- ▶ 1.5-inch (38.1 mm) OD poles can be loaded through the top
- ▶ Legs (independently) extend to 6 feet (1.8 m)
- ▶ Collapses to 43 inches (109 cm)
- ▶ Weighs 4.25 lb (1.93 kg)
- ▶ Comes with bag and leg clips for easy transportation

★ Includes No-Crush Head



5217-40-FLY — Thumb Release Bipod
5217-40-RED — Thumb Release Bipod
5217-40-YEL — Thumb Release Bipod

- ▶ This assembly easily converts your existing prism/range pole bipod to a prism/range pole tripod when extra stability is needed!
- ▶ Easy to attach or remove with our “open clamp” design
- ▶ Operation is exactly the same as a one-piece Pole Tripod
- ▶ Same construction as the third leg on a Pole Tripod
- ▶ A good accessory for 5217-04 and 5217-40
- ▶ Weighs 1.85 lbs (0.84 kg)

Bipod and Pole not included.



5218-06-FLY — Solo Leg with Clamp
5218-06-FOR — Solo Leg with Clamp
5218-06-RED — Solo Leg with Clamp
5218-06-YEL — Solo Leg with Clamp

- ▶ Carbon Fiber Thumb Release Bipod uses the same design concepts as the SECO aluminum Thumb Release Bipod, but weighs less
- ▶ 1- to 1.25-inch (25.6- to 32-mm) diameter poles attach easily through the open clamp
- ▶ 1.5-inch (38.1-mm) OD poles can be loaded through the top
- ▶ Collapses to 43-inches (109-cm)
- ▶ Legs (independently) extend to 6-feet (1.8-m)
- ▶ Weighs 4.10 lb (1.86 kg)

★ Includes No-Crush Head



5219-03 — Carbon Fiber Thumb Release Bipod

- ▶ The Carbon Fiber Thumb Release Tripod features a large 5-lobe soft touch rubber clamping knob, and legs of super strong, lightweight carbon fiber
- ▶ Legs collapses to 43-inches (109-cm)
- ▶ Legs extend to 6-ft (1.8-m)
- ▶ Weighs 4.10 lb (1.86 kg)

5219-05 — Carbon Fiber Thumb Release Tripod



- ▶ To upgrade older bipod models, use this upgrade kit
- ▶ Contoured head design prevents crushing of carbon fiber range or prism poles even when excess force is used
- ▶ All metal design is “form fitting” for all popular pole sizes.
- ▶ Weighs 4.25 lb (1.93 kg)

5217-072 — Upgrade kit, for any existing SECO bipod to the new head design



Bipods & Tripods

- ▶ This tripod is ideal for use with poles under 24-inches (61-cm) long 1- to 1.5-inch (25.4- to 38.1-mm) diameter poles thread easily through the open clamp on top
- ▶ Legs are fixed at 12-inches (30.5-cm) each
- ▶ Includes stainless steel clamp screw and rubber tips
- ▶ Rod, 5010-00-RED, page 22, not included
- ▶ Weighs 1.30 lb (0.60 kg)



5218-15-ABK — Mini Tripod with 12 inch Legs

- ▶ The Mini Bipod utilizes the same design concepts as the popular 5217-04 bipod, just shorter (see page 28)
- ▶ Poles 1- to 1.25-inch (25.6- to 32-mm) diameter attach easily through the open clamp
- ▶ Poles 1.5-inch (38.1-mm) OD can load through the top
- ▶ Collapses to 25 inches (63.5 cm)
- ▶ Extends to 35 inches (88.9 cm)
- ▶ Leg clip is included (5217-30)
- ▶ Weighs 3.50 lb (1.60 kg)
- ▶ See 5217-30 Bipod Leg Clip Below

★ Includes No-Crush Head



5217-05-FOR — Thumb Release Mini Bipod
5217-05-FLY — Thumb Release Mini Bipod
5217-05-RED — Thumb Release Mini Bipod
5217-05-YEL — Thumb Release Mini Bipod

- ▶ The tripod features a ball-and-socket head, which makes leveling a bubble easy
- ▶ Legs extend from 2.62- to 4.17-ft (80-cm to 1.3-m)
- ▶ The rubberized jaws hold a pole (up to 2-inch (51-mm) OD) firmly in place
- ▶ Carrying case is included
- ▶ Weighs 2.65 lb (1.20 kg)



5214-00 — Alligator Clamp Prism Pole Tripod

- ▶ The bipod leg clip easily attaches to the base of any 1.25-inch (32-mm) OD prism or antenna pole
- ▶ The bipod legs snap into the clip making the system convenient for transport or storage
- ▶ Ideal for 5217-04 series
- ▶ Can be used for prism pole tripods with combination of 2 units
- ▶ Weighs 0.04 lb (0.02 kg)



5217-30 — Bipod Leg Clip

- ▶ SECO manufactured, not imported
- ▶ Thumb-Release™ Tripods creates free-standing GNSS antenna poles or prism poles
- ▶ The thumb lock design allows adjustment of tension without disassembly of the leg
- ▶ Universal head accommodates poles from 1- to 1.5-inch (25.6- to 38.1-mm) OD
- ▶ Legs extend (independently) to 6-ft (1.8-m)
- ▶ Feature large, smooth, thumb release buttons
- ▶ Constructed of powder-coated aluminum
- ▶ Weighs 6.00 lb (2.60 kg)



5218-02-FLY — Original Thumb Release Tripod
5218-02-FOR — Original Thumb Release Tripod
5218-02-RED — Original Thumb Release Tripod
5218-02-YEL — Original Thumb Release Tripod

- ▶ Thumb-Release™ Tripods creates free-standing GNSS antenna poles or prism poles
- ▶ The thumb lock design allows adjustment of tension without disassembly of the leg
- ▶ Universal head accommodates poles from 1- to 1.5-inch (25.6- to 38.1-mm) OD
- ▶ Legs extend (independently) to 6-ft (1.8-m)
- ▶ Feature large, smooth, thumb release buttons
- ▶ Constructed of powder-coated aluminum
- ▶ Weighs 6.00 lb (2.60 kg)



5218-40-FLY — Thumb Release Tripod
5218-40-RED — Thumb Release Tripod
5218-40-YEL — Thumb Release Tripod

▶ PRISM basics

Prism Offsets

▶ Corner cube prisms (or retroreflectors) used with electronic distance measuring (EDM) instruments have an offset due to the fact that the transmitted light beam from the EDM takes longer to enter and exit the prism. This longer time translates to a longer distance measured. This distance is corrected by using an 'offset' and/ or positioning the prism in relationship to the plumb line of the prism holder. The offset is determined by multiplying the height of the prism by the refractive index of the glass used. Common offsets are 0, -17.5 mm, -30 mm, -34 mm, and -40 mm.

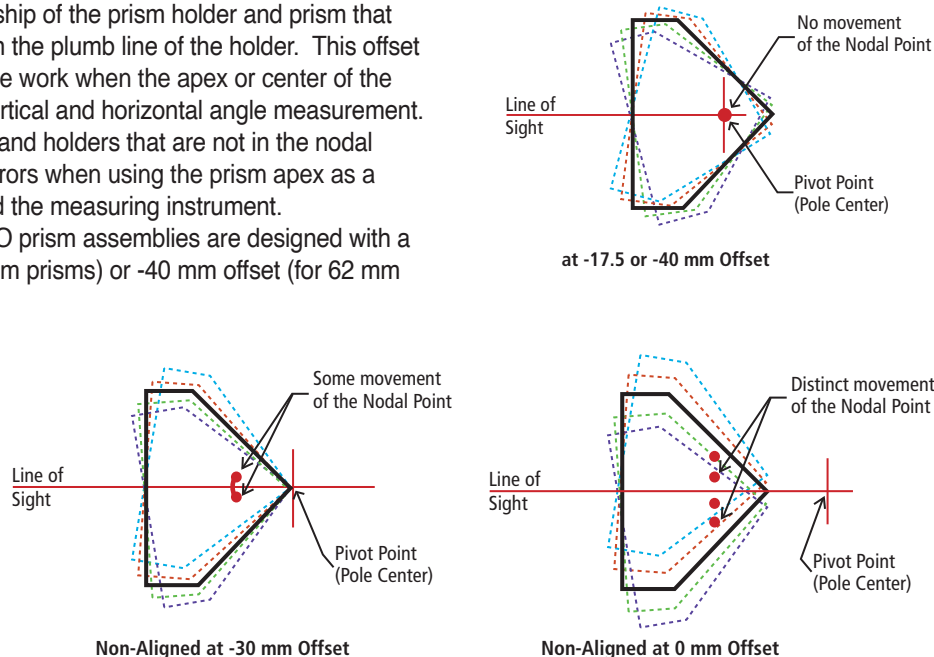
Nodal Offsets

▶ A nodal offset is defined by the relationship of the prism holder and prism that places the optical center of the prism on the plumb line of the holder. This offset is the most advantageous at close range work when the apex or center of the prism is used as a pointing target for vertical and horizontal angle measurement. Every prism has a nodal offset. Prisms and holders that are not in the nodal position however, can cause angular errors when using the prism apex as a target if it is not perfectly pointed toward the measuring instrument.

▶ To reduce pointing errors, several SECO prism assemblies are designed with a nodal point alignment at -17.5 (for 25 mm prisms) or -40 mm offset (for 62 mm prisms). See illustration at right.

▶ Commonly, the best reading of the beam is achieved when the prism face is perpendicular to the incoming beam for a parallel return. Unfortunately, ideal alignment is not always achieved in the field.

▶ To compensate for pointing errors, nodal point alignment minimizes the error associated with misalignments (two illustrations below).



Prism Range

- ▶ Corner cube prisms redirect the measuring beam back to the EDM for signal processing.
- ▶ There are two main factors for good range measurement: prism diameter and beam deviation.
- ▶ If the beam deviation is not accurate enough, the returned beam will miss the EDM entirely.
- ▶ This occurs mainly near the maximum range of the EDM (check with your manufacturer).
- ▶ SECO standard prisms are <5 seconds. Higher accuracy prisms are also available.

Prism Holder Accuracy

▶ Prism accuracy is determined by the physical location of the prism in its canister and then to its holder. SECO prism accuracy is 1 mm or less.

Premier Prism Assemblies Copper

62 mm Rear Screw Lock



FEATURES & BENEFITS

- ▶ Tilting holder is anodized aluminum and features a 62 mm copper-coated canister prism

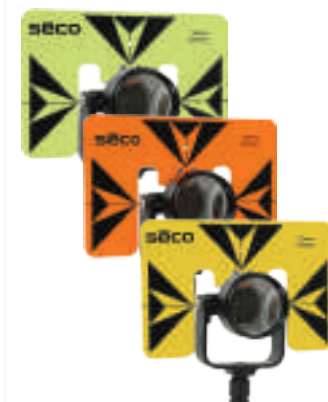
- ▶ Features an improved brass locking thumb screw design and a light but durable metal holder

- ▶ Tilting axis height is 115 mm
- ▶ Mounted in either 0 or -30 mm offset positions

PART NO.	TARGET COLOR	TARGET SIZE	Weights	
6402-02-FLB	Flo Yellow with Black	6 x 9 in	1.75 lb (0.79 kg)	
6402-02-FOB	Flo Orange with Black	6 x 9 in	1.75 lb (0.79 kg)	
6402-02-YLB	Yellow with Black	6 x 9 in	1.75 lb (0.79 kg)	
6422-02-FOB	Flo Orange with Black	5.5 x 7 in	1.59 lb (0.72 kg)	
6422-02-YLB	Yellow with Black	5.5 x 7 in	1.59 lb (0.72 kg)	

Premier Prism Assemblies Silver

62 mm Rear Lever Lock



FEATURES & BENEFITS

- ▶ The heavy-duty 62 mm silver-coated prism is sealed in a strong canister with an o-ring to prevent water and dust from getting inside

- ▶ Incorporates a simple rear-locking stainless steel lever mechanism that is easy to set while adjusting the prism and target tilt

- ▶ either 0 or -30 mm offset positions
- ▶ 115 mm tilting axis height
- ▶ Two target sizes and three color combinations are available

- ▶ Prism can be mounted in

PART NO.	TARGET COLOR	TARGET SIZE	Weights	
6402-20-FLB	Flo Yellow with Black	6 x 9 in	1.75 lb (0.79 kg)	
6402-20-FOB	Flo Orange with Black	6 x 9 in	1.75 lb (0.79 kg)	
6402-20-YLB	Yellow with Black	6 x 9 in	1.75 lb (0.79 kg)	
6422-20-YLB	Yellow with Black	5.56 x 7.13 in	1.59 lb (0.72 kg)	

Prism Premier Assemblies Strobe

62 mm blinking strobe prism assembly



FEATURES & BENEFITS

- ▶ Combines the premier target and holder with a strobe prism

- ▶ Features a blinking strobe prism with an LED light that flashes every 0.5-second
- ▶ This prism can be purchased separately (6416-00, page 39)

- ▶ Perfect for low light conditions
- ▶ Tilting axis height is 115 mm
- ▶ Weighs 1.35 lb (0.62 kg)

PART NO.	TARGET COLOR	TARGET SIZE	
6402-03-FLB	Flo Yellow with Black	6 x 9 in	
6402-03-FOB	Flo Orange with Black	6 x 9 in	
6402-03-YLB	Yellow with Black	6 x 9 in	

Premier Prism Assemblies

-35 mm to work with Precisional and Spectra Geospatial Total Stations



FEATURES & BENEFITS

- ▶ Features a -35 mm offset and a prism accuracy of <5 seconds
- ▶ Mounting base features standard female 5/8 x 11 threads
- ▶ Tilting holder is constructed of anodized aluminum
- ▶ Height of the prism in the holder is 135 mm
- ▶ 62 mm silver-coated prism is encased in a heavy-duty canister with M20 threads
- ▶ Weighs 1.75 lb (0.80 kg)
- ▶ Nodal

Part No.	TARGET COLOR	TARGET SIZE
6402-05-FOB	Flo Orange with Black	6 x 9 in
6402-05-YLB (shown)	Yellow with Black	6 x 9 in

Premier Prism Assemblies

-30 and 0 mm to work with Nikon, Topcon & Sokkia Total Stations



FEATURES & BENEFITS

- ▶ 62 mm copper-coated prism is encased in a heavy-duty canister with M20 threads
- ▶ Features a -30 and 0 mm offset
- ▶ Height of the prism in the holder is 100 mm
- ▶ Tilting holder is constructed of anodized aluminum
- ▶ Prism accuracy of <5 seconds
- ▶ Mounting base features standard female 5/8 x 11 threads
- ▶ Weighs 1.75 lb (0.80 kg)

Part No.	TARGET COLOR	TARGET SIZE
6402-06-FLB	Flo Yellow with Black	6 x 9 in
6402-06-FOB	Flo Orange with Black	6 x 9 in
6402-06-YLB (shown)	Yellow with Black	6 x 9 in

Standard Prism Assembly

Contractor Series 62 mm prism assembly



FEATURES & BENEFITS

- ▶ Features a 62 mm copper-coated canister type prism
- ▶ Water-resistant and has a M20 universal mounting thread
- ▶ Tilting holder is powder-painted die cast aluminum
- ▶ Uses a simple but proven locking system
- ▶ Target size 5.5" x 7"
- ▶ Mounted in either 0 or -30 mm offset positions
- ▶ Tilting axis height is 115 mm
- ▶ Weighs 1.35 lb (0.62 kg)

6402-10-FOB — Prism Assembly in Flo Orange with Black
 6402-10-FLB — Prism Assembly in Flo Yellow with Black
 6402-10-YLB — Prism Assembly in Yellow with Black

360 PRISM

Lightweight and inexpensive, made to be set up and left for extended periods



FEATURES & BENEFITS

- ▶ Compatible with Leica instruments and offsets
- ▶ Prism accuracy <5 seconds
- ▶ Pointing accuracy <2mm to face of prism
- ▶ Range up to 2000ft (600M)
- ▶ Prism Height 86mm
- ▶ Push Button Quick Release
- ▶ Male 5/8-11 thread on top
- ▶ Carrying case included, hard and soft case
- ▶ Weight 1.25 lb (0.6kg)

6406-01 — PRISM, 360, 86MM, +23.1MM PC



MINI 360 PRISM KIT

Lightweight and inexpensive, made to be set up and left for extended periods



FEATURES & BENEFITS

- ▶ Compatible with Leica instruments and offsets
- ▶ Prism accuracy <5 seconds
- ▶ Prism Offset +30 mm
- ▶ Sliding Circular Vial, sensitivity 40 minutes
- ▶ Includes 4 30cm extensions with 5cm point, 1/4-20 threads
- ▶ Carrying case included
- ▶ Ceiling hook included
- ▶ Kit weight 1.2 lbs (0.55kg)

6406-02 — PRISM, MINI 360, KIT, +30mm PC

Prism Assembly: Tilting Single

-30mm Offset Assembly



FEATURES & BENEFITS

- ▶ Includes copper-coated 62 mm prism (6411-02)
- ▶ -30 mm offset aluminum prism holder, sealed with a rugged corrosion-proof electrostatic powder paint coating
- ▶ Target Size: 4.75"x 4.75"
- ▶ 115 mm prism height
- ▶ Weighs 1.50 lb (0.68 kg)

6440-00-FOR — Single Prism Tilting Assembly

Prism: Sliding, Tilt Reflector

Use with Prism Pole or Site Rod



FEATURES & BENEFITS

- ▶ Attaches to the bottom of the graduated section of a pole so heights can be taken close to the ground
- ▶ Includes a, large, 2.5 inch (63.5 mm) silver-coated prism with protective rubber ring
- ▶ 0 offset and 40-min leveling vial
- ▶ Tilts in 15° increments, spring locked
- ▶ Large easy-to-use clamping knob
- ▶ Targets made of fluorescent-yellow translucent polycarbonate
- ▶ Use with prism pole or site rod
- ▶ Weighs 0.81 lb (0.37 kg)

6455-00 — Sliding Prism with Tilting Reflector

**Prism Assembly:
Tilting Triple**

Complete system is perfect for longer distances



FEATURES & BENEFITS

- ▶ Made from orange polycarbonate with metal inserts and an aluminum yoke
- ▶ Holds one to three prisms, is compatible with most screw-in prisms
- ▶ Has a peep sight for pointing the holder, perfect for longer distances
- ▶ Includes three sealed copper-coated 62 mm prisms in black canisters (6411-02-BLK)
- ▶ 0 and -30 mm prism offset
- ▶ Target size 12.6 in wide x 11.42 in (32 cm wide x 29 cm tall)
- ▶ Weighs 2.70 lb (1.23 kg)

6341-00 — Tilting Triple Prism Assembly
6341-11 — Tilting Triple Prism Target



**Prism Assembly:
Nodal Point**

62 mm can be offset to -40 mm



FEATURES & BENEFITS

- ▶ The import assembly features a polycarbonate holder, three prism offset positions, 0, -30 and -40 (nodal)
- ▶ The 62 mm prism is silver-coated and has a <5-second accuracy
- ▶ The height to center of glass: 0.33 ft (100 mm)
- ▶ The reversible non-tilting metal target comes in orange & white and black & white
- ▶ Prism Target size 20 cm x 18.5 cm (7.87 in x 7.28 in)
- ▶ Weighs 1.45 lb (0.66 kg)

6400-10 — Nodal Point 62 mm Prism Assembly



**Prism Assembly:
Nodal Point**

-34 Swiss Style Prism Assembly



FEATURES & BENEFITS

- ▶ -34 mm offset prism
- ▶ Quick Release
- ▶ 62 mm diameter copper coated prism
- ▶ 86 mm Height
- ▶ Weighs 0.92 lb (0.42 kg)

6406-00 — Nodal Point 62 mm Prism Assembly



**Prism Assembly:
Nodal Point**

Eclipse 62 mm can be offset to -40 mm or -30 mm



FEATURES & BENEFITS

- ▶ The Eclipse™ prism assembly features a water-resistant, nitrogen-charged, 62 mm target (yellow and black on the reverse)
- ▶ Can be set at a -40 mm, which offers optimal angle measurements, even when tilting in either the horizontal or the vertical axis
- ▶ Height to center of glass: 0.38 ft (115 mm)
- ▶ -30 mm adapter is included
- ▶ Weighs 1.15 lb (0.52 kg)

6400-00 — Eclipse 62 mm Prism Nodal Point Assembly
6410-00 — -30, -40 Offset Eclipse Prism Holder



Prisms: Mini and Stakeout

- ▶ Here's a versatile prism system in a small package
- ▶ Assembly features a 25 mm copper-coated prism, for fog prevention, a tilting holder, with friction axis, 0 or -30 mm offset
- ▶ Can be mounted on a prism pole or tribrach at three heights: 70 mm, 100 mm, 115 mm, or can be hand-held using the plumb bob bracket or with S-hook for quick attachment to plumb bob
- ▶ Includes a 40-minute adjustable circular center or side mounted vial
- ▶ Also included a point for stake-out work, and a system bag with belt loop
- ▶ Powder painted flo orange
- ▶ Weighs 0.34 lb (0.15 kg)



6200-10-FOR — Mini Prism System with Center Vial
6200-11-FOR — Mini Prism System with Side Vial (shown)



- ▶ The Mini Stakeout Prism features a 25 mm, copper-coated prism, aluminum double yoke construction with tilting coaxial target
- ▶ One 40-minute vial on top
- ▶ Includes replaceable plumb bob point
- ▶ 0 and -30 mm offset
- ▶ Includes carrying case
- ▶ Weighs 0.62 lb (0.28 kg)



6405-01-FOR — 25 mm Stakeout Prism Assembly – Flo Orange
6405-01-FLY — 25 mm Stakeout Prism Assembly – Flo Yellow



- ▶ The white site cones on X and Y axis of the assembly help improve centering of your instrument's crosshairs for vertical and horizontal pointing
- ▶ Used in four height configurations: 50 mm, 100 mm, 115 mm and 150 mm, top or bottom of the pole, handheld, or tribrach mounted
- ▶ Choose between 0/-30 mm or -17.5 mm (nodal) offsets
- ▶ Weighs 0.80 lb (0.36 kg), 1.30 lb (0.59 kg) with heavy-duty point



6405-11-FLY

6405-11-FOR — Stakeout Mini Prism Kit - 0 / -30 mm offset – Flo Orange
6405-11-FLY — Stakeout Mini Prism Kit - 0 / -30 mm offset – Flo Yellow
6405-13-FLY — Stakeout Mini Prism Kit – Nodal -17.5 mm offset



- ▶ The Mini Prism Mono Pod Kit forms a stable base with your 6000-Series Mini Prism
- ▶ Prism not included – sold separately, 6405-10-FOR
- ▶ Kit is easy to set up and can be used by just one person
- ▶ Ideal for: construction surveys, inspections, as built, and many other applications
- ▶ Add a standard 5/8 x 11 extension to the kit to achieve heights to four feet
- ▶ Weighs 2.25 lb (1.02 kg)



5216-00 — Mini Prism Mono Pod Kit



- ▶ The 25 mm Stakeout Prism Assembly features 'site cones' that improve vertical angle pointing — the site cones double as tilting-axis lock knobs
- ▶ Adjustable 40-min vial is mounted on the front side and is easy to see and simple to adjust
- ▶ This mini prism is a zero-offset if you reverse the prism
- ▶ Assembly features a 25 mm copper-coated prism, for fog prevention, a tilting holder, with friction axis, 0 or -30 mm offset Can be mounted on a prism pole or tribrach at three heights: 70 mm, 100 mm, 115 mm, or can be hand-held using the plumb bob bracket or with S-hook for quick attachment to plumb bob
- ▶ Prism height 50 mm to female 5/8
- ▶ Prism height 100mm to Point
- ▶ Includes carrying case
- ▶ Weighs 0.30 lb (0.14 kg)



6405-10-FOR — 25 mm Stakeout Prism Assembly



- ▶ The 25 mm Stakeout Prism Assembly features 'site cones' that improve vertical angle pointing — the site cones double as tilting-axis lock knobs
- ▶ Adjustable 40-min vial is mounted on the front side and is easy to see and simple to adjust
- ▶ -17.5 mm (nodal) offset
- ▶ Includes carrying case
- ▶ Weighs 0.30 lb (0.14 kg)



6405-12-FOR — 25 mm Stakeout Prism Assembly



**Prism System:
Tilting Mini**



FEATURES & BENEFITS

- ▶ The Eclipse™ mini system includes: a Mini Tilting Prism; plumb bob attachment; Mini

- ▶ Bob Prism Mount; Point, and Belt Case
- ▶ 0 and -30 offsets
- ▶ Black hardware

- ▶ Case included
- ▶ Weighs 0.30 lb (0.14 kg)

6450-00-BLK — Tilting Mini Prism System

Prisms: Sliding and Pin Pole Kits

Site cones double as locks

- ▶ This Euro-Style Pole System features a 40-minute adjustable vial, white sight cones and a 5/8 x 11 adapter for standard prism poles (for height of 115 mm)
- ▶ All 30 cm sections are anodized aluminum
- ▶ A carrying case is also included
- ▶ Weighs 1.60 lb (0.73 kg)



- ▶ The sliding 360° Prism Kit allows for quick shots in confined line-of-sight situations and allows for more precise height measurements. Easily find the right shot at the right height!
- ▶ The included adapter allows for easy connection to controllers, making it great for handheld use. Use one or all four pin pole sections for the height/portability you need.
- ▶ The prism assembly slides on 9-mm-diameter solid steel pin poles, graduated in cm
- ▶ The four solid yellow pole sections have cm grooves that the ball-detent in the prism assembly will automatically center on
- ▶ Replaceable stainless steel point
- ▶ The assembly is composed of seven 12.7- mm diameter silver-coated mini-prisms in a 360° configuration
- ▶ Prism offset is +2mm
- ▶ Adjustable circular vial is 40-minute
- ▶ Clamp screw locks the prism assembly anywhere on the pole
- ▶ Data collector adapter and carrying case are included
- ▶ Weighs 1.70 lbs (0.77 kg)



5910-24 — Sliding 360° Prism Kit

- ▶ Prism assembly slides up and down the pin pole
- ▶ Features a 25 mm, 0 offset silver-coated prism and a high quality aluminum holder
- ▶ Foot kit model includes four 1-foot pole sections with 1/2 foot markings
- ▶ Metric kit includes four 30.0 cm pole sections
- ▶ Site cones double as locks
- ▶ 40-minute adjustable vial on prism
- ▶ Prism includes an adapter so it can be used on any pole or tribrach adapter with 5/8 x 11 threads
- ▶ A system bag is also included
- ▶ Weighs 1.40 lb (0.63 kg)



5910-05 — Feet, 0 Offset (shown)
5910-06 — Metric, 0 offset

- ▶ The 12.2 mm OD pin pole features three sections - each 60 cm in length to achieve 5.91 ft (1.8 m); each color section (red or white) is 10 cm in length
- ▶ An adjustable 40-minute circular vial is built in to the prism holder
- ▶ 25 mm sliding prism system features a silver-coated prism with a 0 offset
- ▶ The holder easily slides up and down the pole, the knobs lock in height and tilt – they also double as vertical angle targets
- ▶ Other features include a replaceable stainless steel point on the pole, accessory kit with plumb bob hook and cone for attachment to the prism for handheld applications
- ▶ System Bag included
- ▶ Weighs 1.95 lb (0.90 kg)

6600-10 — Pin Pole with Sliding 25 mm Prism System

Walleye Prism System



FEATURES & BENEFITS

- ▶ Lightweight and inexpensive, made to be set up and left for extended periods
- ▶ Features & Benefits
- ▶ The Walleye™ Prism System accommodates a full size 62 mm prism (6411-03-BLK) for long range applications or when a larger prism is needed

- ▶ Rain hood helps keep the prism clean to ensure continual measurements over a long measuring cycle
- ▶ The flat bottom of the L-Bracket is a large 2.3 x 3.4 inch (58.24 x 86.36 mm) with five holes for mounting to a variety of surfaces
- ▶ Components available individually so you can configure your specific needs
- ▶ The system is compatible with

- all M20 screw-in type prism canisters
- ▶ Center pivot hole is 3/8 inch (9.5 mm), the four screw holes are 4.5 mm OD
- ▶ Features include a -40 mm offset, ± 2 mm, ability to pivot in two axes, stainless-steel locking
- ▶ System weighs 1.55 lb (0.70 kg)

6603-00-050 — L Bracket Assembly

Part No.	Description	
6603-00	Complete Walleye Prism System with Prism and 5/8 x 11 Adapter	
6603-01	Complete Walleye Prism System with Prism and M8 Adapter	
6603-00-050	L-Bracket Assembly Only	
6603-00-005-TMB	Rain Hood Only	
6603-01-051	M8 Adapter with Screws and Washer	

Monitoring Survey Targets



6606 series – Retro Reflective Survey Targets

- ▶ Ideal for back sights, check shots, elevation references and monitoring situations.
- ▶ Very affordable solution to save crew time, improve data, and feel more secure about construction layout.
- ▶ Prism Constant: 0mm

Survey targets range:

- ▶ Target reflectors w/ cross hair 30 x 30 mm: range approx. 80 m (262 ft)
- ▶ Target reflectors w/ cross hair 40 x 40 mm: range approx. 100 m (328 ft)
- ▶ Target reflectors w/ cross hair 60 x 60 mm: range approx. 120 m (393 ft)

Part No.	M2M description	PRISM BACKING	
6606-04-30	30X30 mm reflective target	N/A	
6606-04-40	40X40 mm reflective target	N/A	
6606-04-60	60X60 mm reflective target	N/A	

Monitoring Accessories

Aluminum plates for anchoring

- ▶ Wedge-shaped aluminum plate features a 12.5 mm prism
- ▶ Plate can be fixed with special adhesive on to the pavement
- ▶ Dimensions: 10 x 10 x 2 cm (3.94 x 3.94 x 0.79 inches)
- ▶ Weighs 0.62 lb (0.28 kg)

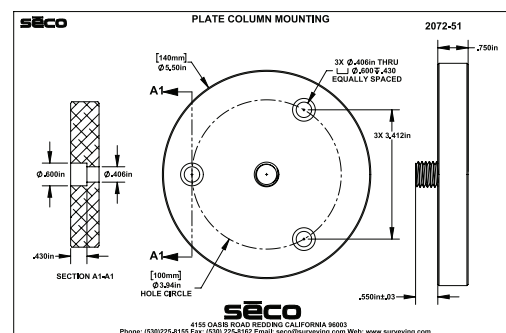


4 520 800 — 12.5 mm Street-Mountable Building Monitoring Prism System

- ▶ Anodized aluminum plate
- ▶ Three key holes for screws to mount the plate
- ▶ With 5/8 x 11 threaded stud for Tribrach adapter centered on the plate
- ▶ Weighs 1.81 lb (0.82 kg)



See Drawing for Installation Data

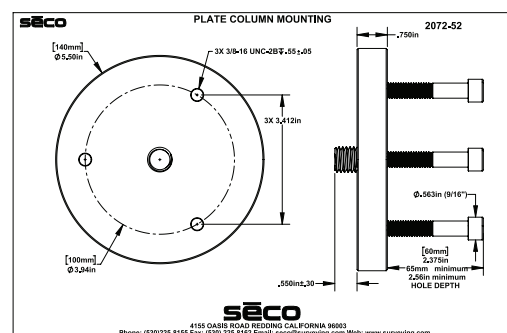


2072-51 — Screw Mounting Column Plate

- ▶ Anodized aluminum plate
- ▶ The three bottom anchor bolts are embedded in concrete during installation
- ▶ With 5/8 x 11 threaded stud for Tribrach adapter centered on the plate
- ▶ Weighs 2.29 lb (1.04 kg)



See Drawing for Installation Data



2072-52 — Column Plate

Prism: Dual Adjustable

Allows accurate measurements from two or more directions or stations



FEATURES & BENEFITS

- ▶ For mining, tunneling, monitoring and rail
- ▶ Minimal horizontal angle is 84° (Hex tool included)
- ▶ Compatible with standard surveying 5/8 x 11 accessories

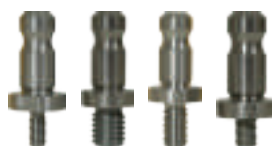
- ▶ Holders can be stacked for more than two prisms or an GNSS Receiver can be connected on the top 5/8 x 11 stud so an GNSS measurement can also be made

- ▶ Includes two 62 mm silver coated, water-resistant prisms, accuracy < 2 arc seconds
- ▶ Prism holder is machined from 303 stainless-steel
- ▶ Zero (0) prism offset, ±1 mm
- ▶ Weighs 2.60 lb (1.18 kg)

6603-03 — Adjustable Dual Prism

Quick Release Adapters

Lightweight and inexpensive, made to be set up and left for extended periods



FEATURES & BENEFITS

- ▶ 6601-Series Quick Release Adapters are made of T-303

stainless steel with machined threads that attach to corresponding Anchor Bolts

- ▶ or the 6602-Series rebar bolts (see page 60)
- ▶ Weighs 0.10 lb (0.05 kg)

- 6601-01 — 1/4 x 20 Threads
- 6601-02 — 3/8 x 16 Threads
- 6601-03 — M8 Threads
- 6601-04 — M12 Threads

Mini Prisms

Lightweight and inexpensive, made to be set up and left for extended periods

- ▶ Lightweight and inexpensive, made to be set up and left for extended periods
- ▶ Features a 60 mm diamond pattern sheeting and a 2 mm offset
- ▶ Use for distances up to 492 ft (150 m)
- ▶ Feature an 86 mm height
- ▶ Fits Swiss-style male tips or Quick Release adapters
- ▶ Weighs 0.17 lb (0.08 kg)



6600-01 — Small Tilting Mini Prism - Diamond Pattern

- ▶ Features a 60 mm diamond pattern with Crosshairs sheeting and a 2 mm offset
- ▶ Use for distances up to 492 ft (150 m)
- ▶ Features an 86 mm height
- ▶ Fits Swiss-style male tips or Quick Release adapters
- ▶ Weighs 0.15 lb (0.07 kg)



6600-03 — Diamond Pattern with Crosshairs

- ▶ Use for distances up to 492 ft (150 m)
- ▶ Features a 25 mm mini prism for longer distances up to 2,000 ft (609.6 m)
- ▶ Features an 86 mm height
- ▶ Fits Swiss-style male tips or Quick Release adapters
- ▶ Offset 17.5 mm
- ▶ Weighs 0.23 lb (0.10 kg)



6600-04 — Small Tilting 25 mm Mini Prism

- ▶ This Prism series is ideal for deformation and mining surveys or wherever permanent mounting is needed
- ▶ This design makes mounting and pointing easy on uneven surfaces
- ▶ Mounting Arm allows tilt up to 240 degrees and Prism mount allows 360 degrees rotation
- ▶ The two Mounting holes are spaced 1.75" (44.4mm) apart
- ▶ Mounting holes are 0.328" (8.3mm) diameter
- ▶ Two Prism mounting holes, spaced 1.75" (44.4mm) apart
- ▶ Pivot and Prism mounting bolts are 8MM stainless steel with lock washers
- ▶ 6mm Hex wrench included
- ▶ Rain Hood included with 6603-05



Part No.	PRISM SIZE	COATED	WEIGHT
6603-05	62 mm	Silver	1.15 lbs (0.52 kg)
6603-06	25 mm	Copper	0.50 lbs (0.23 kg)

- ▶ The 25 mm copper-coated prism is permanently bonded to the holder making it water and dust proof
- ▶ Features a black anodized aluminum holder
- ▶ Tilting screw uses an 6 mm hex wrench to loosen and tighten it
- ▶ Mounting hole is 8 mm (0.315 inch) in diameter
- ▶ Design makes mounting and pointing simple
- ▶ Centering accuracy 1.5 mm
- ▶ -25.5mm, Leica +8.9mm
- ▶ Weighs 0.45 lb (0.20 kg)



6600-02 — 25 mm 'L-Bar' Copper-Coated Mini Prism

- ▶ The 25 mm silver-coated prism is permanently bonded to the holder making it water and dust proof
- ▶ Features a black anodized aluminum holder
- ▶ Tilting screw uses an 6 mm hex wrench to loosen and tighten it
- ▶ Mounting hole is 8 mm (0.315 inch) in diameter
- ▶ Design makes mounting and pointing simple
- ▶ Centering accuracy 1.5 mm
- ▶ -25.5mm, Leica +8.9mm
- ▶ Weighs 0.45 lb (0.20 kg)



6600-05 — 25 mm 'L-Bar' Silver-Coated Mini Prism

Quick Release Adapter

Adapter for mini prisms



- ▶ Makes the 6600-01,-03,-04 compatible with "BW Pipe"

Threads G3/8", but easily threads on to male 5/8-11NC Threads

- ▶ For Swiss-style

6600-01-001 — M16 x 1-6H

Prism Assembly Components

Customize your own prism solution

- ▶ 62 mm Nitrogen filled prism with hermetically sealed canister
- ▶ Features <5-second accuracy
- ▶ M20 x 2 thread



6411-00

- ▶ 62 mm copper-coated prism with sealed canister
- ▶ Features <5-second accuracy
- ▶ M20 x 2 thread



6411-02-BLK

- ▶ 62 mm silver-coated prism with heavy-duty sealed canister
- ▶ Features <5-second accuracy
- ▶ M20 x 2 thread



6411-03-BLK

- ▶ 62 mm silver-coated prism with heavy-duty sealed-canister
- ▶ Features <2-second accuracy
- ▶ M20 x 2 thread



6411-04-BLK

- ▶ 62 mm silver-coated strobe prism
- ▶ Features 0.5-second flash
- ▶ Sanyo CR 1/3N Battery



6416-00

- ▶ 25 mm copper-coated prism in a canister
- ▶ Weighs 0.06 lb (0.03 kg)
- ▶ M6 x 1 thread



6020-01

- ▶ 25 mm silver-coated prism in a canister
- ▶ Weighs 0.06 lb (0.03 kg)
- ▶ M14 x 2.5 thread



6020-02

Single Prism Traverse Kit



FEATURES & BENEFITS

- ▶ Includes a 62 mm prism with silver-coated canister (6400-10, see page 34)
- ▶ The adjustable (and reversible) tilt target has a sighting collimator for precise pointing and has 0, -30, and -40 offsets
- ▶ The kit comes with a rotating tribrach adapter (2153-10, see page 41) that is

- compatible with all prisms with a 24.9 mm bayonet base
- ▶ Features a 2.5X twist focus optical plummet and a 60-second adjustable plate vial
- ▶ Prism has <5 arc seconds angle deviation
- ▶ The adapter has a precision machined axis that rotates 360°
- ▶ The height is 180 to 200 mm

- and over the point accuracy is 0.5 mm at 1.5 m
- ▶ Also included is a tribrach (2153-04, see page 41) which features three screw-leveling with center line, an 8-minute circular vial, and 5/8 x 11 base thread
- ▶ Includes hard shell case
- ▶ Weighs 9.95 lb (4.51 kg)



2159-01-BLK — Single Prism Traverse Kit
2159-050 — Hard Shell Traverse Carrying Case (included in kit or sold separately)

Tribrachs & Adapters

Contractor-series tribrachs and adapters

- ▶ Bright 650-nm focused red laser dot
- ▶ Circular vial w/ 8-minute sensitivity
- ▶ Standard three-prong forced centering with center lines
- ▶ Included is a standard 3 volt CR2 lithium battery
- ▶ Weighs 1.65 lb (0.75 kg)
- ▶ Laser class 2
- ▶ These tribrachs do not fit Precisional "S6" Series Instruments



2153-02-BLK — Laser Tribrach

- ▶ The Optical Plummet Twist Focus Tribrach features twist focus (2.5X mag) and leveling screws with center line
- ▶ Features an 8-min vial, three-prong forced centering and a 5/8 x 11 base
- ▶ Tribrach has a focusing range of 1.5 to 50 ft (0.5 to 15 m)
- ▶ These tribrachs do not fit Precisional "S" Series Instruments
- ▶ Weighs 1.85 lb (0.84 kg)



2152-04-BLK — Tribrach with Optical Plummet
2153-04-BLK — Tribrach w/o Optical Plummet

- ▶ Allows adjusting of prism height by moving the threaded brass insert in the adapter
- ▶ Fits all tribrachs
- ▶ Weighs 1.91 lb (0.87 kg)
- ▶ 50-75 mm



2071-00 — Prism H.T. Adapter

- ▶ This adapts retro prisms to Swiss style tribrachs and has a removable Zeiss plug and locking screw
- ▶ Fits all tribrachs
- ▶ Weighs 1.75 lb (0.80 kg)
- ▶ Height 34.5 mm



2070-00 — Rotating Tribrach Adapter

- ▶ This rotating friction top tribrach adapter allows the prism to be pointed after installation in the tribrach
- ▶ Fits all tribrachs
- ▶ Weighs 0.90 lb (0.41 kg)
- ▶ Height 32 mm



2020-00 — Rotating Tribrach Adjuster

- ▶ Use adapter for mounting retro prisms and tripod mounted target systems
- ▶ Fits all tribrachs
- ▶ Weighs 0.50 lb (0.23 kg)
- ▶ Height 24.5 mm



2010-00 — Fixed Tribrach Adapter

- ▶ Use for adjusting optical plummet tribrachs and tribrach bubbles
- ▶ Machined black anodized aluminum features a 2-minute bubble
- ▶ Weighs 1.30 lb (0.59 kg)



2002-00 — Tribrach Adjuster

- ▶ Compatible with the TX5
- ▶ Width is 3.12 in (79.3 mm)
- ▶ Height is 34 mm
- ▶ Weighs 1.75 lb (0.80 kg)



2070-02 — 3/8 x 16 Tribrach Adapter

- ▶ Check and adjusting optical plummet tribrachs in the office
- ▶ Precision-machined, black anodized aluminum
- ▶ Weighs 0.70 lb (0.32 kg)



2001-00 — Tribrach Adjusting Cylinder

European Style Tribrach



FEATURES & BENEFITS

- ▶ This tribrach features 2X magnification and a twist focus
- ▶ Its reticule is composed of two small concentric circles
- ▶ With a sighting distance of 0.3 m to 15 m, the tribrach has an accuracy of 0.5 mm per 1.5 m

- ▶ Locking forced-centering knob and a 5/8 x 11 base and an 8-minute circular vial
- ▶ Weighs 1.55 lb (0.70 kg)

2152-05-BLK — European-Style Tribrach with Optical Plummet

Traverse Tribrach Adapter

Compatible with all 24.9 mm bayonet base prisms



FEATURES & BENEFITS

- ▶ The optical plummet is twist-focus with 2.5X magnification
- ▶ 60-second adjustable plate vial
- ▶ Precision-machined axis rotates 360°
- ▶ Compatible with all prisms with a 24.9 mm bayonet base
- ▶ The adjustable height is 100

- to 120 mm — fits all standard three-prong tribrachs
- ▶ Over point accuracy is 0.5 mm at 1.5 m
- ▶ Weighs 1.70 lb (0.77 kg)

2153-10-BLK — Traverse Tribrach Adapter



Fiberglass Tri-Max Tripods

Certified accurate premier instrument tripod



FEATURES & BENEFITS

- ▶ The revolutionary design of this tripod series means this tripod will meet ISO standard (12858-2-H) right out of the box, and after years of field use
- ▶ The shape and size of the foot are designed to allow for a solid placement on any terrain
- ▶ Features a round head with large center hole to facilitate an easy set-up over a point

- ▶ Long lasting fiberglass
- ▶ The large 'footbed' is there to facilitate solid planting for stability
- ▶ Features positive locking systems
- ▶ A retaining system—which prevents leg kick out and accidental falls on slick surfaces—is stored on the inside of the leg and can be left in place when the tripod is not in use
- ▶ The foot is equipped with

- a replaceable point and a retention loop for use with a safety strap
- ▶ Tri-Max tripods can handle equipment up to 30 kg (65 lb)
- ▶ Collapsed: 113 cm (44.5 in) except 90560: 54 in (1.37 m)

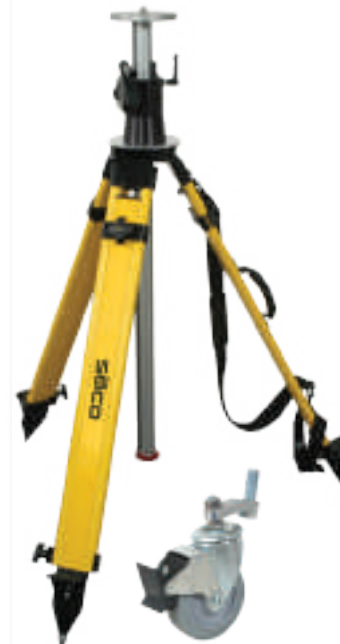
APPLICATIONS

- ▶ Robotics
- ▶ Scanning
- ▶ Leveling

Part No.	LOCK TYPE	LEGS	WEIGHS	EXTENSION	HEAD	HARDWARE
90550	Quick Clamp	Fiberglass	17.00 lb (7.70 kg)	71 in (1.8 m)	Flat	Black
90551	Screw Clamp	Fiberglass	17.00 lb (7.70 kg)	71 in (1.8 m)	Flat	Black
90553	Dual Clamp	Fiberglass	17.00 lb (7.70 kg)	71 in (1.8 m)	Flat	Black
90560	Dual Clamp	Fiberglass	20.00 lb (9.00 kg)	91 in (2.3 m)	Flat	Black

Universal Tri-Max Elevator Tripod

A gear box controls the lift and descent so the center column cannot free fall



90557-050

FEATURES & BENEFITS

- ▶ SECO's Universal Tri-Max® Elevator Tripod features a working height range of 4.10 ft (1.20 m) collapsed to 8.60 ft (2.62 m) extended with the center column at full height
- ▶ Center column independently lifts 1 meter (90558-050)
- ▶ A gear box controls lift and descent so the center column cannot free fall
- ▶ The 5/8 x 11 mounting head is removable and adjustable in azimuth direction
- ▶ Fiberglass Legs

- ▶ Additional 1 meter section may be added for a total recommended height of 10 ft (3 m) for instruments under 15 lb (6.80 kg)
- ▶ Sections can move up or down
- ▶ Machined-aluminum elevator column and fiberglass legs makes for a robust and easy-to-use laser instrument tripod
- ▶ Stable for instruments up to 25 lb (11.33 kg) under most conditions
- ▶ Weighs 29.00 lb (13.20 kg)
- ▶ Collapsed length 53 in

APPLICATIONS

- ▶ Robotics
- ▶ Scanning
- ▶ Leveling

- 90558 — Universal Tri-Max Elevator Tripod
- 90558-050 — 1 Meter Extension for Universal Tri-Max Elevator Tripod
- 90557-050 — Tri-Max Wheel Kit
- 90558-052 — Adaptor Plate, 3/8-16



Short Tri-Max

Standard Tri-Max quality in a smaller size



FEATURES & BENEFITS

- ▶ The Tri-Max® Short Quick Clamp Tripod features the exact same design and construction as the full-size (90550) Tri-Max but it is more portable

- ▶ Extends to 5.67 ft (1.73 m)
- ▶ Collapses to 3.44 ft (1.05 m)
- ▶ Highly recommended for all servo-driven and robotic total stations and 3-D laser scanners
- ▶ Fiberglass legs

- ▶ Weighs 15.40 lb (7.00 kg)

APPLICATIONS

- ▶ Robotics
- ▶ Scanning
- ▶ Leveling

90550-S — Short Fiberglass Tri-Max Tripod

Premier Fiberglass Tripod

Improved quality and stability for more accurate measurements



FEATURES & BENEFITS

- ▶ 6-5/8 inch (16.83 cm) flat round head with large center hole
- ▶ (2-5/8 inch, 6.67 cm) to facilitate an easy set-up over a point
- ▶ Foot is equipped with a replaceable point made of hardened steel

- ▶ Standard 5/8 x 11 threaded brass instrument stud
- ▶ Snap cap to protect tripod head
- ▶ Extends to 70.75 inches (179 cm)
- ▶ Collapses to 43.75 inches (111 cm)
- ▶ Made in North America under strict quality controls

- ▶ Includes a comfortable shoulder strap for carrying over longer distances

APPLICATIONS

- ▶ Ideal for mounting theodolites, lasers, auto levels, or total stations

PART NO.	LOCKING	LEGS	EXTENDS	COLLAPSES	WEIGHS	COLOR
90582	Dual Lock	Fiberglass	70.75 in (179 cm)	43.75 in (111 cm)	13.60 lb (6.16 kg)	Orange (shown)

Extra-Tall Fiberglass Elevator Tripod

Locking leg stabilizers provide greater stability



FEATURES & BENEFITS

- ▶ Tripod has a fully-extended leg and center column height of 12.40 ft (3.80 m) and a collapsed height of 5.97 ft (1.82 m)
- ▶ Features an adjustable center column that gives you 3.7 ft (1.12 m) of lift
- ▶ Lockable leg stabilizer struts, dual clamps, screw clamp and quick clamp, along with dual metal and rubber leg

- ▶ points and handy leg strap create greater stability
- ▶ Detachable round head plate, with a 5/8 x 11 stud, gives your instrument a sturdy platform
- ▶ Column can hold 66 lb (30 kg) when collapsed, and 15.4 lb (7 kg) when elevating
- ▶ Legs and dowels are constructed of fiberglass for durability, strength and resistance to weathering

- ▶ Includes leg straps
- ▶ Will fit in tripod carrying bag 8153-10 (page 67)
- ▶ Weighs 42.28 lb (19.18 kg)

APPLICATIONS

- ▶ Use with lasers, scanners, machine control or other instruments

5321-17-ORG — Extra-Tall Fiberglass Elevator Tripod

Birch Wood / Fiberglass Hybrid Tripod

Improved kiln dried birch wood / fiberglass hybrid tripod models



FEATURES & BENEFITS

- ▶ Combination of hardwood legs with fiberglass dowels provides stability and weather resistance
- ▶ Large aluminum head and leg hinges provide stable mounting base

- ▶ Double banded extension legs and large positive locking quick clamp for extra stability
- ▶ Powder coated wear-resistant metal hardware
- ▶ Aluminum shoe with hardened steel replaceable shoe points

- ▶ Includes: plastic head cap for protection, heavy-duty poly-webbing shoulder strap for ease of carrying to the job site (not shown)

PART NO.	MATERIAL	EXTENDED	COLLAPSES	CLAMPING	HEAD	WEIGHT	COLOR
5302-13-BLK	Wood / Fiberglass	69" (175.26 cm)	43" (109 cm)	Quick Clamp	Triangle	16.5 lb (7.48 kg)	Black

Disclaimer: the full-view tripod is a composite photograph for illustrative purposes

Heavy-Duty Birch Wood Tripods

Improved kiln dried birch wood tripod models



Disclaimer: the full-view tripod is a composite photograph for illustrative purposes

FEATURES & BENEFITS

- ▶ Made of high quality birch hardwood with wide-frame extension legs and 123mm (0.91") dowels
- ▶ Large 6.5" (165mm) aluminum head

- ▶ Dual Lock
- ▶ Twist locks with die cast leg bands for maximum locking
- ▶ Quick clamps, adjustable, for quick sets ups
- ▶ Powder Coated metal fittings
- ▶ Aluminum shoe with hardened steel replaceable

- ▶ shoe points
- ▶ Instrument Fastener brass 5/8-11
- ▶ Includes heavy-duty poly-webbing shoulder strap for ease of carrying to the job site (not shown)

PART NO.	MATERIAL	EXTENDED	COLLAPSES	CLAMPING	HEAD	WEIGHT	COLOR
5220-13-BLK	Wood	68" (173 cm)	43" (109 cm)	Dual Locks	Round	16.5 lb (7.48 kg)	Black

Aluminum Elevator Tripods

Locking leg stabilizers provide greater stability



FEATURES & BENEFITS

- ▶ Aluminum elevator tripods have smooth operating adjustable center columns
- ▶ Black hardware
- ▶ Tough kick-in cleats and points

- ▶ Features a built-in circular vial in the instrument head and safety chains on the legs to prevent slipping on hard surfaces
- ▶ Will fit in tripod carrying bag 8154-12 (page 67)

APPLICATIONS

- ▶ Ideal for lasers, scanners, machine control or other instruments

PART NO.	LOCK TYPE	HEAD	EXTENDS	COLLAPSES	WEIGHS
5321-16-BLK	Quick Clamp	Elevator / Round	7.60 ft (2.3 m)	4.26 ft (1.26 m)	16.30 lb (7.39 kg)

Square Leg Aluminum Tripods

Heavy-duty aluminum square leg tripods offer stability and accuracy



FEATURES & BENEFITS

- ▶ Equipped with square outer dowels for a more secure lock
- ▶ These tripods are equipped with a 5/8 x 11 threaded adapter for convenient mounting of instruments

- ▶ They're built to last— with heavy construction throughout— and are designed to withstand rigorous field conditions

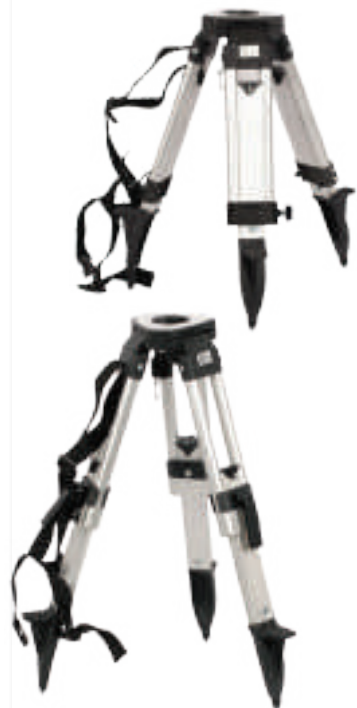
APPLICATIONS

- ▶ Ideal for mounting theodolites, lasers, auto levels, or total stations

PART NO.	LOCK TYPE	LEGS	WEIGHS	EXTENSION	HEAD	HARDWARE	COLLAPSES
5301-31-BLK	Quick Clamp	Aluminum (Square)	9.70 lb (4.40 kg)	64 in (1.60 m)	Triangle / Flat	Black	40.55" (1.03 m)
5301-31-ORG	Quick Clamp	Aluminum (Square)	9.70 lb (4.40 kg)	64 in (1.60 m)	Triangle / Flat	Orange	40.55" (1.03 m)

Round Leg Aluminum Tripods

Sturdy and lightweight tripods for many applications



FEATURES & BENEFITS

- ▶ These tripods accommodate 5/8 x 11 instruments and are designed for all types of jobs
- ▶ Choices include: Flat or dome head, standard, elevator or mini tripod size

- ▶ The telescopic legs allow for setup at various heights and are available with orange or black hardware (on some models)

APPLICATIONS

- ▶ Ideal for mounting theodolites, lasers, auto levels, or total stations

PART NO.	LOCK TYPE	WEIGHS	EXTENSION	COLLAPSED HEIGHT	HEAD	HARDWARE	
5301-21-ORG	Quick Clamp	9.35 lb (4.24 kg)	65 in (1.65 m)	40.35 in (1.025 m)	Triangle / Flat	Orange	
5301-21-BLK	Quick Clamp	9.35 lb (4.24 kg)	65 in (1.65 m)	40.35 in (1.025 m)	Triangle / Flat	Black	
5301-25-BLK	Quick Clamp	7.45 lb (3.38 kg)	63.5 in (1.60 m)	38.58 in (0.98 m)	Triangle / Flat	Black	
5301-24-BLK	Quick Clamp	6.75 lb (3.06 kg)	27 in (68.65 cm)	20.47 in (0.52 m)	Triangle / Flat	Black	
5311-21-ORG	Quick Clamp	7.60 lb (3.45 kg)	63.5 in (1.60 m)	40.35 in (1.025 m)	Dome	Orange	

Tripod Dolly

Moves a tripod quickly to the next shot without breaking down the instrument



FEATURES & BENEFITS

- ▶ Tripod Dolly for all surveying tripods
- ▶ Easily maneuvered through doorways

- ▶ Folds for portability, 25.5" folded
- ▶ Convenient carrying handle
- ▶ Locking 5" diameter, hard rubber wheels; ball bearing casters with cable guards

- ▶ Adjustable Velcro straps to keep tripod secure
- ▶ Load capacity 132 lbs
- ▶ Weight 17 lbs

Note: Tripod not included with dolly.



5610-15 — Tripod Dolly

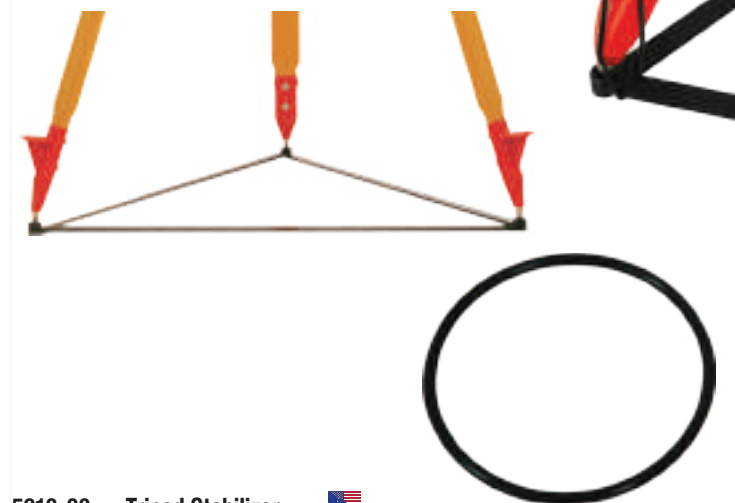
Cross Reference Table

Bags and Cases For Instrument Tripods

BAGS	PAGE NUMBER	TRIPODS WILL FIT	
8150-20-ORG	Pg. 66	Every Tripod Except for; 90558, 90560, 5321-17-ORG	
8153-10-ORG	Pg. 66	5321-17-ORG and 5115-00	
8154-00-ORG	Pg. 66	5119-00	
8154-10-ORG	Pg. 66	5300-11 and 5300-12	
8154-11-ORG	Pg. 66	Every Tripod Except for; 90558, 90560, 5321-17-ORG	
8154-12-ORG	Pg. 66	5119-10	

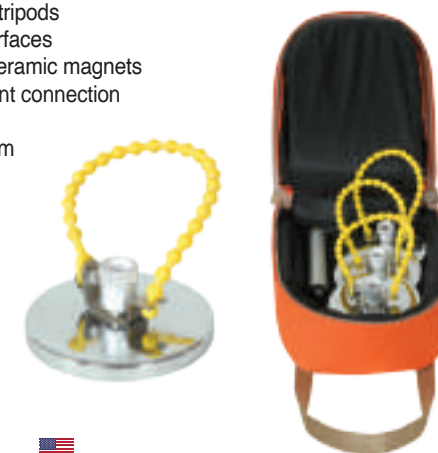
Instrument Tripod Accessories

- ▶ Designed to provide the extra stability required when working indoors on concrete and other hard surfaces
- ▶ Made of heavy-duty aluminum
- ▶ Measures 35 x 35 x 35 inches (889 x 889 x 889 mm)
- ▶ Collapses for compact storage
- ▶ Rubber o-ring fits over the foot of the tripod for extra stability
- ▶ Weighs 3.00 lb (1.36 kg)



5610-00 — Tripod Stabilizer

- ▶ Provides non-slip support for tripods
- ▶ Works on all ferrous metal surfaces
- ▶ Includes three 5-inch round ceramic magnets
- ▶ Each magnet has a tripod point connection with a bungee strap
- ▶ Handle to remove magnet from surface included
- ▶ Each magnet has 210 pull pounds
- ▶ Kit bag is included



5610-12 — Tripod Anchor Kit

- ▶ This Stabilizer helps prevent tripod legs from slipping when used on hard, slick surfaces.
- ▶ Lightweight and portable
- ▶ Collapses to 26 3/8" (67 cm)
- ▶ Opens to a three point star with 26 1/2" (67 cm) legs
- ▶ Two 0.315" (8 mm) hole in each leg, one at 35 cm from center and one at 65 cm.
- ▶ Anodized aluminum legs
- ▶ O-rings to hold tripod foot in place
- ▶ Center opening 1 7/8" (45 mm)
- ▶ Weight 1.05 lbs (0.48 kg)



5610-01 — Tripod Stabilizer

- ▶ Constructed from anodized aluminum



- 2120-00 — Tripod Adapter 3-1/2 x 8 to 5/8 x 11
- 2130-00 — Tripod Adapter 5/8 x 11 to 3-1/2 x 8
- 2132-01 — Tripod Adapter 5/8 x 11F to 1/4 x 20M

Leveling Rod Accessories

- ▶ Use with aluminum leveling rods
- ▶ Weighs 0.50 lb (0.23 kg)



7321-050 — Leveling Rod Vial

- ▶ These replacement rod button kits fit on SECO aluminum leveling rods



70014-6 — Round 17 mm Button
70014-7 — Round 13 mm Button w/ Ring

- ▶ 6-inch long caliper for SVR/Oval rods and CMR ruler



91014 — 6-inch Caliper for SVR/Oval Rods and CMR Ruler

- ▶ Adapt the thread size to 5/8 x 11 for mounting prisms on the LR's female adapter
- ▶ Weighs 0.20 lb (0.09 kg)



91133 — 5/8 x 11 Double Male Prism Adapter

- ▶ USL/SVR Hook



91275 — USL/SVR Hook

- ▶ Swiss-Style Prism Adapter



6601-01 — Swiss-Style Prism Adapter 1/4 x 20 Threads

- ▶ Snap-Tite® SVR Rod Level



91255 — Snap-Tite SVR Rod Level

- ▶ Snap-Tite CR Rod Level



91535 — Snap-Tite CR Rod Level

- ▶ The Leveling Plates (or Turtles as they are commonly known) are cast heavy steel and red powder painted for durability
- ▶ Other quality features include chrome plating on the dome, carrying handle and ground points
- ▶ Use to improve the accuracy of level runs in soft terrain
- ▶ Diameter 5.51 in (14 cm)
- ▶ Diameter of half ball 1.81 in (3 cm)
- ▶ Height of half ball 0.79 in (2 cm)
- ▶ Height of foot to top half ball 2.60 in (6.6 cm)
- ▶ Weighs 4.41 lb (2.00 kg)



7304-01 — Leveling Plate (Turtle)

- ▶ 5/8 x 11 Prism Mounting Adapter Kit



91258 — 5/8 x 11 Prism Mounting Adapter Kit

- ▶ This bipod features a special head that will hold a rectangular rod
- ▶ The head will fit rods with widths between 1.57 inches (39.9 mm) and 2.56 inches (65.0 mm)



5217-21-FOR — Leveling Rod Thumb Release Bipod

- ▶ This bipod features a special head that will hold a rectangular rod
- ▶ The head will fit rods with widths between 2.95 inches (74.9 mm) and 3.8 inches (96.5 mm)
- ▶ Depth: 1.75 inches (44.4 mm)



5217-20-FLY — Invar Rod Thumb Release Bipod

SVR Brackets for Laser Receivers

Easily attaches to SVR rods



- FEATURES & BENEFITS**
- ▶ Brackets are needed to attach laser sensors to the SVR rod
 - ▶ Top or side brackets are

available for all popular laser receiver models

- ▶ Use with an SVR rod to mount your laser receiver

APPLICATIONS

PART NO.	MOUNT TYPE	DESIGNED FOR
91100	Top	Universal
91162	Top	Storm® HL700/750/450
91163	Side	Storm HL700/750/450

'E' Pattern Builder's Rods

Dual-sided lightweight rod



FEATURES & BENEFITS

- ▶ Features a standard 'E' pattern
- ▶ Lightweight aluminum sections are in contrasting white, red and black colors and have round spring-loaded locking buttons

- ▶ Graduations are cm on the front
- ▶ Back Side Scale is either a Height Scale or a Standard Scale
- ▶ Includes a level vial and case

APPLICATIONS

- ▶ Grading
- ▶ Masonry
- ▶ Site work
- ▶ Forms
- ▶ Landscaping
- ▶ Foundations
- ▶ Sewers
- ▶ Slab work

PART NO.	LENGTH	GRADS	BACK SIDE SCALE	WEIGHS
7341-41	4 m	cm	Height Scale MM	3.10 lb (1.40 kg)
7341-45	4 m	mm	Standard Scale MM	3.10 lb (1.40 kg)
7341-51	5 m	cm / mm	Standard Scale MM	3.80 lb (1.73 kg)
7341-52	5 m	cm / inches	Standard Scale MM	3.80 lb (1.73 kg)
7341-55	5 m	cm / mm	Height Scale MM	3.80 lb (1.73 kg)
7341-56	5 m	UK cm / mm	Standard Scale MM	3.80 lb (1.73 kg)

Aluminum Builder's Rods

Light and durable anodized leveling rods



FEATURES & BENEFITS

- ▶ These aluminum leveling rods are made of a light and durable alloy
- ▶ The telescopic sections are anodized and silk-screened with moisture-resistant ink

- ▶ Each rod section uses sturdy polycarbonate buttons that lock each section when extended; the height gauge is on the back side
- ▶ Each rod includes a special level and protective bag

APPLICATIONS

- ▶ Grading
- ▶ Masonry
- ▶ Site work
- ▶ Forms
- ▶ Landscaping
- ▶ Foundations
- ▶ Sewers
- ▶ Slab work

*Replacement buttons PN: 70014-6 or 70014-7 (see page 47)

PART NO.	SECTIONS	LENGTH	GRADS	WEIGHS
7321-30	3	9 ft, 9.5 in	8ths	2.40 lb (1.10 kg)
7301-30	3	9.8 ft	10ths	2.40 lb (1.10 kg)
7321-40	4	13 ft, 1.38 in	8ths	3.10 lb (1.40 kg)
7301-40	4	13.12 ft	10ths	3.10 lb (1.40 kg)
7341-40	4	4 m	5 mm	3.10 lb (1.40 kg)
7321-50	5	16 ft, 4.75 in	8ths	3.50 lb (1.60 kg)
7301-50	5	16.4 ft	10ths	3.50 lb (1.60 kg)

Surveyor's Series (SVR) Leveling Rods

Waterproof and wear-resistant



Rectangular-oval shape allows for wide, glare resistant and wear-resistant scales.

FEATURES & BENEFITS

- ▶ Features a new shorter collapsed length (58.5 inches on 25 ft versions) and a lighter weight
- ▶ Constructed of strong, rigid fiberglass with reinforcing ribs for added stability

- ▶ Water-resistant and non-conductive
- ▶ A tight locking mechanism features round buttons that resist jamming from sand and dirt
- ▶ Includes a 1/4 x 20 female adapter in top section

APPLICATIONS

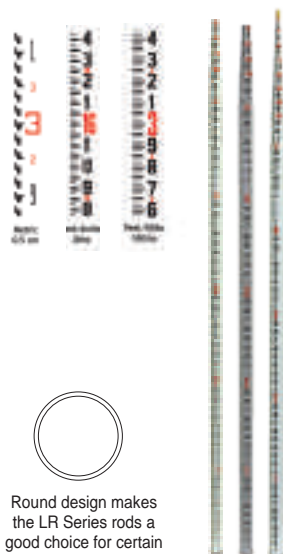
- ▶ Grading
- ▶ Masonry
- ▶ Site work
- ▶ Forms
- ▶ Landscaping
- ▶ Foundations
- ▶ Sewers
- ▶ Slab work

Includes carrying case. Order 91411 for replacement carrying case – see page 67

PART NO.	HEIGHT SCALE	LENGTH	GRADS	BACK SCALE	WEIGHS	
98010	Height Scale	25 ft (7.6 m)	10ths	No	6.00 lb (2.72 kg)	
98011	Height Scale	25 ft (7.6 m)	8ths	No	6.00 lb (2.72 kg)	
98012	Height Scale	25 ft (7.6 m)	0.5 cm metric	No	6.00 lb (2.72 kg)	
98013	Height Scale	25 ft (7.6 m)	'E' metric	Yes	6.00 lb (2.72 kg)	
98014	Height Scale	25 ft (7.6 m)	Philly metric	No	6.00 lb (2.72 kg)	
98015	Dual Scale	25 ft (7.6 m)	8ths / 10ths	No	6.00 lb (2.72 kg)	
98016	Dual Scale	25 ft (7.6 m)	10ths / Philly Metric	No	6.00 lb (2.72 kg)	
98017	Dual Scale	25 ft (7.6 m)	10ths / 10ths	No	6.00 lb (2.72 kg)	
98020	Height Scale	17 ft (5.18 m)	10ths	No	5.00 lb (2.27 kg)	
98021	Height Scale	17 ft (5.18 m)	8ths	No	5.00 lb (2.27 kg)	
98023	Height Scale	17 ft (5.18 m)	'E' metric	Yes	5.00 lb (2.27 kg)	
98024	Height Scale	17 ft (5.18 m)	Philly metric	No	5.00 lb (2.27 kg)	
98025	Dual Scale	17 ft (5.18 m)	8ths / 10ths	No	5.00 lb (2.27 kg)	
98026	Dual Scale	17 ft (5.18 m)	10ths / Philly metric	No	5.00 lb (2.27 kg)	

Standard/Pro Series (LR) Leveling Rods

Round rod is wind resistant



Round design makes the LR Series rods a good choice for certain applications like in areas of high wind.

FEATURES & BENEFITS

- ▶ The LR Series leveling rods are round and easy to handle
- ▶ The LR-STD is available in a 25 ft model in 10ths, inches, and 0.5 cm metric scales

- ▶ The LR-PRO is larger in diameter so sturdier and easier to read
- ▶ The LR-PRO is available in 25 ft, 35 ft and 45 ft lengths in feet/10ths/100ths

APPLICATIONS

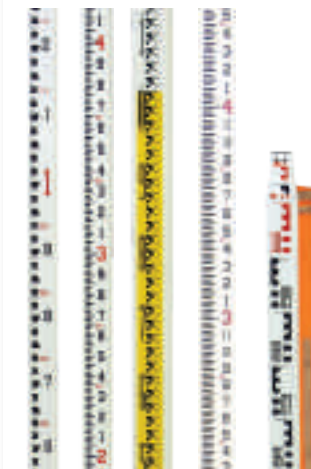
- ▶ Grading
- ▶ Masonry
- ▶ Site work
- ▶ Forms
- ▶ Landscaping
- ▶ Foundations
- ▶ Sewers
- ▶ Slab work

Includes carrying case. Order 91402 for replacement carrying case – see page 67

PART NO.	LENGTH	OUTSIDE DIAMETER	GRADS	WEIGHS	
90004	LR-STD 25 ft	1-5/8 inch	10ths	5.00 lb (2.26 kg)	
90009	LR-STD 25 ft	1-5/8 inch	8ths	5.00 lb (2.26 kg)	
90014	LR-STD 7.6 m	1-5/8 inch	Metric	5.00 lb (2.26 kg)	
90022	LR-PRO 25 ft	2 inch	10ths	7.00 lb (3.17 kg)	
90024	LR-PRO 35 ft	2-3/16 inch	10ths	9.00 lb (4.08 kg)	
90026	LR-PRO 45 ft	2-3/16 inch	10ths	10.00 lb (4.53 kg)	

Rectangular Series (CR) Leveling Rods

Rounded back corners for better gripping



Rectangular shape allows for laser detectors to be mounted directly to the rod – no bracket required!

FEATURES & BENEFITS

- ▶ Features a rectangular shape with rounded back corners for better gripping
- ▶ Scale width is graduated to fill the entire face of the rod and measuring scale on the back side that allows for overall height readings

- ▶ For laser detector mounting with no special brackets required
- ▶ Made with strong fiberglass which is waterproof, corrosion-resistant and non-conductive
- ▶ Features 1/4 x 20 female adapter in the top section

APPLICATIONS

- ▶ Grading
- ▶ Masonry
- ▶ Site work
- ▶ Forms
- ▶ Landscaping
- ▶ Foundations
- ▶ Sewers
- ▶ Slab work

Includes carrying case. Order 91410 for 8 ft or 91411 for 13 - 20 ft replacement carrying case – see page 68

PART NO.	LENGTH	GRADS	BACK SIDE SCALE	WEIGHS	
92001	8 ft	10ths	No	3.00 lb (1.36 kg)	
92002	8 ft	8ths	No	3.00 lb (1.36 kg)	
92021	13 ft	10ths	No	5.00 lb (2.26 kg)	
92022	13 ft	8ths	No	5.00 lb (2.26 kg)	
92041	16 ft	10ths	No	6.00 lb (2.72 kg)	
92042	16 ft	8ths	No	6.00 lb (2.72 kg)	
92031	20 ft	10ths	No	7.00 lb (3.17 kg)	
92032	20 ft	8ths	No	7.00 lb (3.17 kg)	
92026	4.0 m	'E' metric	Yes	5.00 lb (2.26 kg)	
92027	4.0 m	0.5 cm metric	No	5.00 lb (2.26 kg)	
92046	5.0 m	'E' metric	Yes	6.00 lb (2.72 kg)	
92047	5.0 m	0.5 cm metric	No	6.00 lb (2.72 kg)	
92048	5.0 m	British 'E' metric	Yes	6.00 lb (2.72 kg)	
92043	5.0 m	Philly metric	No	6.00 lb (2.72 kg)	

SK Leveling Rods



FEATURES & BENEFITS

- ▶ Non-conductive lightweight fiberglass leveling rods
- ▶ Waterproof and corrosion-proof even against seawater
- ▶ Unique patented oval shape permits equal size graduations full-length, prevents rod from rolling and is easier to hold

- ▶ Numerals and graduations are epoxy-protected for maximum wear-resistance and sized for maximum readability.
- ▶ The Level Rod Sections are cushioned with glides to prevent wear.
- ▶ Height measuring gauge on the back side (see illustration

- ▶ red and white)
- ▶ 5/8 x 11 female thread for prism attachment
- ▶ Includes carrying bag

7400-10 — SK Leveling Rod Feet / in 10ths
7400-20 — SK Leveling Rod Feet / in 8ths
7400-30 — SK Leveling Rod Metric (E-Type)



LASERLINE MFG.

LaserLine Mfg., Inc. is the world's largest manufacturer of direct reading (Lenker style) grade rods. We are proud to offer the highest in quality, selection and service.

LaserLine Direct Reading Rods

Tough, Lightweight, Versatile

GR 1000 SERIES LASER VERSION



FEATURES & BENEFITS

- ▶ Made of high strength clear anodized aluminum for lightweight, rugged, dependable operation. They will not rust, split, splinter, swell or warp in any environment.
- ▶ Tape has heavy duty matte textured face. Easy on the eyes in bright sunlight. Protects the tape numbers from wear and fading.
- ▶ Tape lock grommets are oversized, heavy duty brass. Greatly minimizes the problem of tape tearing.

- ▶ Detector rail is black, high density, U.V. stabilized for long life.
- ▶ Solid tape lock with internal brake slide for stronger, trouble-free operation.
- ▶ Foot designed to allow a solid placement in any terrain and improved stability
- ▶ Rubberized Carrying Handle included
- ▶ Tape lock pin cannot puncture tape. Designed not to tear, puncture or rip tape when pushed against tape face instead of the grommet hole.

- ▶ DuPont nylon parts. Yough and rugged for lon-lasting life. Same material used for ski bindings and motorcycle parts.

GR 1450 SERIES LASER VERSION



PART NO.	STYLE	READING TYPE	LENGTH	MEASUREMENTS	
GR 1000	Laser	10' Direct Reading	5' 10 ¹ / ₂ " – 10' 1 ³ / ₄ "	Feet, Tenths & Hundredths	
GR 1000T	Laser	10' Direct Reading	5' 10 ¹ / ₂ " – 10' 1 ³ / ₄ "	Feet, Tenths & Hundredths	
GR 1000I	Laser	10' Direct Reading	5' 10 ¹ / ₂ " – 10' 1 ³ / ₄ "	Feet & Inches	
GR1000ICF	Laser	10' Cut & Fill Only	5' 10 ¹ / ₂ " – 10' 1 ³ / ₄ "	Inches	
GR1000IT	Laser	3 Meter Direct Reading	5' 10 ¹ / ₂ " – 10' 1 ³ / ₄ "	Tenths OR Inches	
GR 1000M	Laser	3 Meter Direct Reading	5' 10 ¹ / ₂ " – 10' 1 ³ / ₄ "	Metric Scale	
GR 1000MCF	Laser	3 Meter Direct Reading	5' 10 ¹ / ₂ " – 10' 1 ³ / ₄ "	Metric Scale	
GR 1450	Laser	15' Direct Reading	7' 10 ³ / ₄ " – 14' 6"	Feet, Tenths & Hundredths	
GR 1450T	Laser	15' Direct Reading	7' 10 ³ / ₄ " – 14' 6"	Feet, Tenths & Hundredths	
GR 1450M	Laser	5 Meter Direct Reading	7' 5" – 15' 8"	Metric Scale	
GR 1450MCF	Laser	5 Meter Direct Reading	7' 5" – 15' 8"	Metric Scale	
GR 10T	Optical	10' Direct Reading	5' 5" – 9' 7"	Feet, Tenths & Hundredths	
GR 10I	Optical	10' Direct Reading	5' 5" – 9' 7"	Feet, Tenths & Hundredths	
GR 10M	Optical	3 Meter Direct Reading	5' 5" – 9' 7"	Metric Scale	
GR 15T	Optical	15' Direct Reading	7' 10 ³ / ₄ " – 14' 6"	Feet, Tenths & Hundredths	
GR 15M	Optical	5 Meter Direct Reading	5' 5" – 9' 7"	Metric Scale	

GR 10 SERIES OPTICAL VERSION



LaserLine Detector Brackets

GR1000 & GR1450 Rods Match Guide

DETECTOR BRAND & MODEL	B-1	B-LA	B-T	B-S50	B-LS70-80	B-STORM	B-CR700	B-LCA-C	UB-1
ADIR PRO LD-8	X	--	--	--	--	--	--	--	--
AGATEC SR2000, RCR500	--	--	--	--	--	--	--	--	X
AGL LS-100	--	X	--	--	--	--	--	--	X
APACHE CYCLONE	--	X	--	--	--	--	--	--	--
APACHE 33, 34 LIGHTENING	X	--	--	--	--	--	--	--	X
APACHE LIGHTENING 2, TWISTER	--	--	--	--	--	--	--	--	X
APACHE STORM	--	--	--	--	--	X	--	--	--
BOSCH LR-1	--	--	--	--	--	--	--	--	X
CST BERGER LD100N, LD120, LD400	X	--	--	--	--	--	--	--	X
CST BERGER RD1, RD5, LD90, LD440, LD440G	--	--	--	--	--	--	--	--	X
DAVID WHITE LD18	--	--	--	--	--	--	--	--	X
FUTTURA CR1	--	--	--	--	--	--	--	--	X
FUTTURA CR2+	--	--	--	--	--	--	--	--	X
FUTTURA CR3	--	--	--	--	X	--	--	--	X
FUTTURA C4	--	--	--	--	--	X	--	--	--
GEOMAX ZRD105, ZRD105B, ZRP105	--	--	--	--	--	--	--	X	--
GEOMAX ZRB35	--	--	--	--	--	--	--	--	X
HILTI PRA 31, 35	--	--	--	--	--	--	--	--	X
LASER REFERENCE R4, R5, R7 (R8 OLD STYLE, THREADED HOLE)	X	--	--	--	--	--	--	--	X
LASER REFERENCE R8 NEWER, SLIDE BACK	--	--	--	--	--	--	--	--	X
LASER REFERENCE R9	X	--	--	--	--	--	--	--	--
LEICA ROD EYE RVL 80	--	--	--	--	--	--	--	--	X
LEICA ROD EYE DIGITAL (OLDER)	--	--	--	--	--	X	--	--	--
LEICA ROD EYE PRO/CLASSIC (OLDER)	--	X	--	--	--	--	--	--	X
LEICA ROD EYE PLUS (OLDER)	--	--	--	--	--	--	--	--	X
LEICA ROD EYE 120, 120G, 140, 160, 180	--	--	--	--	--	--	--	X	--
LEICA COMBO	--	--	--	--	--	--	--	X	--
PLS HVD 505R, HLD 1000	--	--	--	--	--	--	--	--	X
SITE PRO RD200	X	--	--	--	--	--	--	--	--
SITE PRO RD202	--	--	--	--	--	--	--	--	X
SOKKIA LR100	X	--	--	--	--	--	--	--	X
SPECTRA PRECISION 1077, 1274, 1275	X	--	--	--	--	--	--	--	X
SPECTRA PRECISION 1175, 1177, 3075	--	--	--	--	--	--	--	--	X
SPECTRA HR200	X	--	--	--	--	--	--	--	X
SPECTRA HR150 (U), HR220, HR300	--	--	--	--	--	--	--	--	X
SPECTRA HR250, 320, 350	--	--	--	--	--	--	--	--	X
SPECTRA HR400, 500, CR 600	--	--	X	--	--	--	--	--	--
SPECTRA HR550	--	--	--	X	--	--	--	--	X
SPECTRA HL450, 700, 750, 760	--	--	--	--	--	X	--	--	--
SPECTRA CR700 COMBO	--	--	--	--	--	--	X	--	--
TOPCON LS30, LS50, LS80, LS80A, LS1	--	--	--	--	X	--	--	--	X
TOPCON LS100D	--	X	--	--	--	--	--	--	--
ALL OTHER DETECTORS (MOST BRANDS)	--	--	--	--	--	--	--	--	X

Floor To Ceiling Lightweight Aluminium Pole

For Interior Construction Applications



FEATURES & BENEFITS

- ▶ Rigid construction
- ▶ Adjustable laser platform
- ▶ 5 sections

- ▶ 2'8" to 10'5" (81cm to 330cm)
- ▶ 5/8" & 1/4" threads
- ▶ Height adjusting bracket
- ▶ Comes with carry bag

7220-01 — Floor to ceiling lightweight aluminium pole



Heavy-Duty Pocket Tape

Light weight measuring tools for all situations



FEATURES & BENEFITS

- ▶ Rubberized black and high visibility yellow case
- ▶ Positive thumb lock and release action

- ▶ Lengths vary from 25 ft to 33 ft
- ▶ Tape made from epoxy paint coated steel

Applications

- ▶ General construction

PART NO.	LENGTH	WIDTH	GRADS	
4769-00	25 ft	1 inch (32 mm)	10ths	
4769-01	25 ft	1 inch (32 mm)	10ths / Metric	
4769-02	25 ft	1 inch (32 mm)	10ths / 8ths	
4769-03	33 ft	1 inch (32 mm)	10ths	
4769-04	33 ft	1 inch (32 mm)	10ths / 8ths	
4769-06	33 ft (10 m)	1 inch (32 mm)	10ths / Metric	
4769-14	5 m	3/4 inch (19 mm)	m/cm/mm	

Coated Fiberglass and Steel Measuring Tapes

Great in all kinds of weather conditions



FEATURES & BENEFITS

- ▶ These coated tapes are designed to be used in the field for many years
- ▶ Single sided tape

- ▶ Choose between PVC-coated fiberglass or nylon-coated steel tape
- ▶ Features a hook end and fast-winding crank

APPLICATIONS

- ▶ General construction

PART NO.	TYPE	LENGTH	GRADS	
3003-06	PVC-Coated Fiberglass	100 ft	10ths	
3003-07	PVC-Coated Fiberglass	200 ft	10ths	
3003-10	PVC-Coated Fiberglass	30 m	m/cm/mm	
3006-06	Nylon-Coated Steel	100 ft	10ths	
3006-07	Nylon-Coated Steel	200 ft	10ths	
3006-10	Nylon-Coated Steel	30 m	m/cm/mm	
3006-11	Nylon-Coated Steel	60 m	m/cm/mm	

Rhino Ruler® Engineer's Folding Ruler

Waterproof fiberglass outlasts wood rulers



FEATURES & BENEFITS

- ▶ Waterproof fiberglass construction prevents common problems that occur with wood rulers such as fading, splintering, and chipping

- ▶ Engraved graduations resist weather and scratches
- ▶ Easy-to-fold locking joints are tighter than traditional folding rulers made of wood allowing for a more accurate measurement along the ruler's length

APPLICATIONS

- ▶ General construction

4770-00 — Rhino Ruler Waterproof Fiberglass Engineer's Folding Ruler - 10ths / 8ths
4770-01 — Rhino Ruler Waterproof Fiberglass Engineer's Folding Ruler - 10ths / Metric



CMR Series Measuring Rulers with Cases

Designed for one-person measuring



FEATURES & BENEFITS

- ▶ A versatile tool for fast, accurate, one-person measuring, the CMR Series is the tool for measuring heights, clearances and horizontal distances up to fifty feet

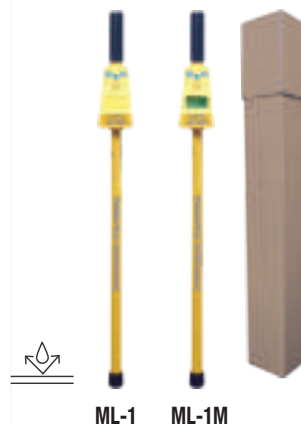
- ▶ The rod is equipped with a female 1/4 x 20 adapter in the top section
- ▶ Made of rugged, non-conductive fiberglass and includes a carrying case and calliper tip

- ▶ Carrying cases are made from the highest quality 1000-denier nylon

PART NO.	LENGTH	WEIGHT	OD	REPLACEMENT CARRY CASE	OD CASE MEASUREMENTS	
90180	25 ft (7.6 m)	5.00 lb (2.27 kg)	1-13/16 inch	91415	3.5 x 65 in (8.89 x 165.1 cm)	
90181	36 ft (11 m)	9.00 lb (4.08 kg)	2-7/32 inch	91416	4.5 x 68 in (11.43 x 172.72 cm)	
90182	50 ft (15.2 m)	12.00 lb (5.44 kg)	2-13/32 inch	91417	4.5 x 76 in (11.43 x 193.04 cm)	

SubSurface® Handheld Magnetic Locators

Built by the team with the most experience in the industry



FEATURES & BENEFITS

- ▶ Both models come with an industry exclusive 7 year warranty
- ▶ Choose the standard model or the LCD meter model
- ▶ The ML-1M has visual indication in addition to audio
- ▶ Tube-through construction ensures strength and

- ▶ durability from the bottom tip to the handle
- ▶ Overall length: 38.75 in (98.4 cm)
- ▶ The system comes with a padded carrying bag and four alkaline 9-volt batteries — two to use and two spares
- ▶ Waterproof from bottom tip to LCD box
- ▶ Weighs 2.00 lb (0.91 kg)

APPLICATIONS

- ▶ Perfect for locating survey corner markers, PK and Mag Nails, valve and covers, steel and iron pipes, well casings, steel tanks, lost tools or even downed and buried fence lines

Hard-shell case is impact resistant ABS plastic construction (ML-1-050, sold separately)

ML-1 — SubSurface Handheld Magnetic Locators Standard Model
ML-1M — SubSurface Handheld Magnetic Locators With LCD Meter
ML-1-050 — Hard Shell Case for Locators



Gopher Pole Wire Installation Tool

Installing wires across ceiling spans is a lot easier with this unique fiberglass pole



FEATURES & BENEFITS

- ▶ With its long, adjustable span of up to 22 feet, the Gopher Pole makes wiring easy in hard-to-reach areas such as suspended ceilings, sub-rooms, crawl spaces and attics
- ▶ Ideal for pushing/pulling wire over long spans and acoustic ceiling tiles
- ▶ Telescopes from 4 to 22 feet (1.22 to 6.70 meters) in seconds

- ▶ Features a positive-locking system that won't accidentally collapse
- ▶ Features a strong but malleable metal tip that allows for easy shaping of the hook
- ▶ Sturdy and lightweight with no loose parts; constructed of durable non-conductive fiberglass

APPLICATIONS

- ▶ Utility Companies
- ▶ Electrical Contractors
- ▶ Electrical Supply Distributors
- ▶ Communications
- ▶ Data Network Solutions
- ▶ Commercial And Industrial Lighting
- ▶ Security Equipment Firms
- ▶ General Interior Construction

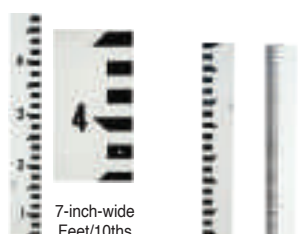


90520 — Gopher Pole Wire Installation Tool
91415 — Carrying Case (not included)



Stream Gauges

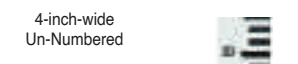
Allows you to instantly see water levels



7-inch-wide Feet/10ths



7-inch-wide Un-Numbered



4-inch-wide Un-Numbered



4-inch-wide Feet/10ths/100ths

4-inch-wide Metric/Decimeters/Centimeters

FEATURES & BENEFITS

- ▶ Stream Gauges allow you to instantly see water levels
- ▶ Fiberglass stream gauges are the best permanent marker in a variety of applications and environments
- ▶ Sturdy fiberglass assures a long life, it does not rot, rust or corrode
- ▶ Stream gauges are provided in separate units that can be used separately or combined for convenient measuring

- ▶ Easy to read at long distances, gauges are protected with a non-glare coating and are easy to mount
- ▶ Stainless steel fasteners are provided which will attach to most surfaces including metal, masonry, wood, and many other surface types
- ▶ 1/8 inch thick and the pre-drilled holes for mounting have a diameter of 1/4 inch
- ▶ Gauges may be ordered in successive increments to

- form ranges and elevations
- ▶ Number plates (sold separately) may be used to customize elevations for a particular application

APPLICATIONS

- ▶ Monitoring the water level of rivers, creeks, streams, bays etc.

7-inch Stream Gauges feature 2-1/4 inch (5.72 cm) tall numbers
4-inch Stream Gauges features 1-1/4-inch (3.175 cm) tall numbers
Use unnumbered gauges for height beyond 15.5 ft, 16 ft, or 3.66 m as needed

PART NO.	DESCRIPTION	LENGTH	WIDTH	GRADS	WEIGHS	
99000	Un-Numbered	4 ft	4 inch (10.2 cm)	feet / 10ths / 100ths	2.00 lb (0.91 kg)	
99001	4 ft	0 - 4 ft	4 inch (10.2 cm)	feet / 10ths / 100ths	2.00 lb (0.91 kg)	
99002	4 ft	4 - 8 ft	4 inch (10.2 cm)	feet / 10ths / 100ths	2.00 lb (0.91 kg)	
99003	4 ft	8 - 12 ft	4 inch (10.2 cm)	feet / 10ths / 100ths	2.00 lb (0.91 kg)	
99004	4 ft	12 - 16 ft	4 inch (10.2 cm)	feet / 10ths / 100ths	2.00 lb (0.91 kg)	
99023	Un-Numbered	4 ft	4 inch (10.2 cm)	feet / 10ths	2.00 lb (0.91 kg)	
99051	1.22 m	0 - 1.22 m	10.2 cm (4 inch)	m / dm / cm	2.00 lb (0.91 kg)	
99052	1.22 m	1.22 - 2.44 m	10.2 cm (4 inch)	m / dm / cm	2.00 lb (0.91 kg)	
99053	1.22 m	2.44 - 3.66 m	10.2 cm (4 inch)	m / dm / cm	2.00 lb (0.91 kg)	
99071	Un-Numbered	5 ft	7 inch (17.78 cm)	feet / 10ths	4.00 lb (1.81 kg)	
99072	Un-Numbered	5 ft	7 inch (17.78 cm)	feet / 10ths / 100ths	4.00 lb (1.81 kg)	
99079	5 ft	0.5 - 5.5 ft	7 inch (17.78 cm)	feet / 10ths	4.00 lb (1.81 kg)	
99080	5 ft	5.5 ft - 10.5 ft	7 inch (17.78 cm)	feet / 10ths	4.00 lb (1.81 kg)	
99081	5 ft	10.5 - 15.5 ft	7 inch (17.78 cm)	feet / 10ths	4.00 lb (1.81 kg)	



Mounting Hardware For Stream Gauges

Included with purchase of any Stream Gauge



- FEATURES & BENEFITS**
- ▶ Includes 7 sets of stainless steel screws and anchors

- ▶ Contains 14 each of screws and anchors packaged in packs of four

APPLICATIONS

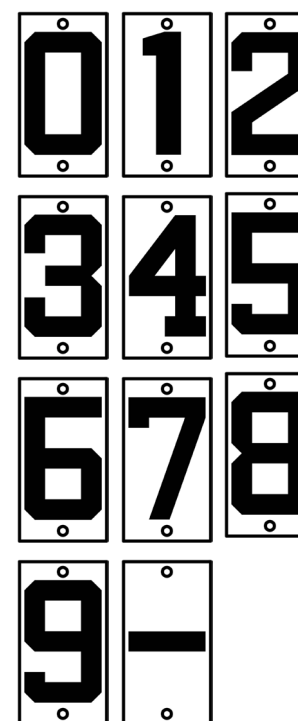
- ▶ Monitoring the water level of rivers, creeks, streams, bays etc.

99043 — Mounting Hardware for Stream Gauges



Stream Gauges Plate Numbers

Sturdy fiberglass assures a long life, will not rust or corrode



- FEATURES & BENEFITS**
- ▶ Number plates may be used to customize elevations for a particular application

- ▶ All stream gauges are 1/8-inch thick and the pre-drilled holes for mounting have a diameter of 1/4-inch

APPLICATIONS

- ▶ Monitoring the water level of rivers, creeks, streams, bays etc.

PART NO.	NUMBER PLATE	MEASURES	
99060	0 (zero)	2-1/4 x 4 inches	
99061	1 (one)	2-1/4 x 4 inches	
99062	2 (two)	2-1/4 x 4 inches	
99063	3 (three)	2-1/4 x 4 inches	
99064	4 (four)	2-1/4 x 4 inches	
99065	5 (five)	2-1/4 x 4 inches	
99066	6 (six)	2-1/4 x 4 inches	
99067	7 (seven)	2-1/4 x 4 inches	
99068	8 (eight)	2-1/4 x 4 inches	
99069	9 (nine)	2-1/4 x 4 inches	
99070	- (Minus)	2-1/4 x 4 inches	

Hand Levels

2 power stadia hand level with very sharp field of view and a stadia ratio 1:32



- ▶ Hand-finished for smooth and accurate operation
- ▶ Etched glass prisms and precision ground lenses
- ▶ There are no exposed screws to cause adjustment failure
- ▶ When taken apart for cleaning, they can be completely assembled and adjusted in the field
- ▶ The interiors are non-glare
- ▶ The exterior has a highly visible powder coating finish
- ▶ Five inches long when closed; seven inches long opened
- ▶ All hand levels include a leather carrying case with belt loop and snap flap, parts list and instructions
- ▶ Manufactured by Kuker-Ranken

4300KR — 2-Power Stadia Hand Level



Magnetic Dampened Auto Level

Easy-to-use 24X and 32X auto-levels



FEATURES & BENEFITS

- ▶ The 32X auto level features a sturdy metal Japanese-style body with a magnetic dampened compensator
- ▶ Fits 5/8 x 11 flat or domed tripods
- ▶ The top cover plate is easily removed for adjustment
- ▶ Accurate to 1/16 inch per 100 feet (with good weather conditions)

- ▶ Includes carrying case
- ▶ Air dampened auto compensator
- ▶ Double-sided, continuous horizontal tangent drives
- ▶ Stadia lines for simple distance measurement
- ▶ Water resistant construction
- ▶ Convenient horizontal angle measurement
- ▶ Built in bubble mirror and optical sighting alignment

- ▶ Metal housing for increased durability

APPLICATIONS

- ▶ Two-person leveling across the job site
- ▶ Leveling forms and footers
- ▶ Checking elevation
- ▶ Measuring cut and fill

PART NO.	POWER/DAMPENING	TRIPOD	ROD		
4811-24	24X / Magnetic Dampened	No	None		
4811-32	32X / Magnetic Dampened	No	None		
AL24A	24X / Air Dampened	No	None		
AL24M	24X / Magnetic Dampened	No	None		
AL32A	32X / Air Dampened	No	None		
SPECIFICATIONS	4811-24	4811-32	AL24A	AL24M	AL32A
Magnification	24X	32X	24X	24X	32X
Objective Diameter	36 mm	42 mm	30 mm	30 mm	36 mm
Field of View Angle	1° 20'	1° 20'	1° 20'	1° 20'	1° 20'
Shortest Focusing Distance	0.3 m	0.3 m	0.6 m	0.6 m	0.6 m
Stadia Constant	100	100	100	100	100
Additive Constant	0	0	0	0	0
Compensator Dampening	Magnetic	Magnetic	Air	Magnetic	Air
Compensator Range	±15'	±15'	±15'	±15'	±15'
Compensator Setting Accuracy	<0.5"	<0.5"	<0.5"	<0.5"	<0.3"
Double Run Leveling per 1 km	2 mm	1 mm	2 mm	2 mm	1 mm
Circular Vial Accuracy	8/2 mm	8/2 mm	8/2 mm	8/2 mm	8/2 mm
Horizontal Circle	1°	1°	1°	1°	1°
Base Plate	5/8 x 11	5/8 x 11	5/8 x 11	5/8 x 11	5/8 x 11
Color	Red	Red	Yellow	Yellow	Yellow
Weight	3.97 lb (1.80 kg)	3.97 lb (1.80 kg)	3.50 lb (1.60 kg)	3.50 lb (1.60 kg)	3.50 lb (1.60 kg)



Construction Theodolite

Full-featured digital theodolite for construction



DE-50
Optional eye piece sold separately

FEATURES & BENEFITS

- ▶ Designed for general construction applications
- ▶ The Spectra Precision DET-2 digital electronic theodolite gives you accurate measurements in an affordable, versatile, easy to use platform
- ▶ Offers dual displays and controls for easy accessibility and operation, very large backlit LCD characters for easy reading (also, reduces eye strain and chance for errors), and a host of features and parameters normally found on much higher priced instruments
- ▶ Fast investment payback is the goal of the Spectra Precision DET-2
- ▶ With its 2-second accuracy (1- or 5-second selectable display readings) and vertical axis compensation, it can handle any construction job
- ▶ Operating costs are kept low with the included rechargeable battery pack and charger

- ▶ Able to be fully customized for your preferred operating style or job, with programmable settings for the horizontal angle resolution and beep, vertical degrees or %, automatic shutoff (to save battery life), and zenith angle
- ▶ A backup alkaline pack holding four standard AA batteries is also included
- ▶ Includes a built-in reticle illuminator that allows you to work inside buildings and other environments with little or no light, such as near dawn or dusk
- ▶ You can count on working in difficult conditions with an environmental rating of IP-54 making it water and dust-proof
- ▶ Comes equipped with a plumb bob, NiMH rechargeable battery pack and charger, alkaline battery pack, adjustment tools, rain hood, multi-language user guide, and hard-shell carrying case
- ▶ Accurate enough for any job,

- yet the display resolution can be tailored to any operator's preferences for fast readings
- ▶ Vertical axis compensation can be turned on or off depending on the operator or job
- ▶ Programmable settings for the horizontal angle resolution and beep, vertical degrees or percent are easy to configure
- ▶ The recharge kit reduces operating costs and downtime
- ▶ For Specifications see website

APPLICATIONS

- ▶ Establishing 90 degree reference lines
- ▶ Checking angles, alignment, and plumb
- ▶ Anchor bolt alignment
- ▶ Gravity flow pipe laser setup
- ▶ Steel column placement
- ▶ Alignment of forms, tilt-up walls, and curtain walls
- ▶ Basic grade work
- ▶ Short range leveling

DET-2 — Construction Theodolite
DE-50 — Diagonal Eye Piece



Batter Board Clamp

Accessories and components for rotating lasers



FEATURES & BENEFITS

- ▶ Attaches to boards with thicknesses up to 2.17 in (55 mm)
- ▶ Mounting plate with its 5/8 x 11 screw can easily be removed when connecting it to a laser or theodolite
- ▶ Nail hole ensures that a theodolite's axis is positioned

- exactly over the reference point
- ▶ Soft-touch locking knobs prove comfortable when using in cold and wet weather
- ▶ 3-point contact for secure, sturdy grip
- ▶ Quick release clamp for quick instrument attachment
- ▶ Weighs 2.43 lb (1.10 kg)

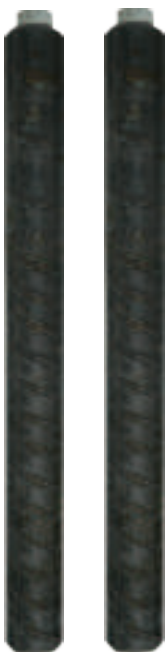
APPLICATIONS

- ▶ Perfect for a laser for vertical applications or Theodolites

4852-14 — Batter Board Clamp



Rebar Bolts



FEATURES & BENEFITS

- ▶ Measures 3/4 x 9.9 inches (19.05 x 251.46 mm) long
- ▶ Includes a hex bolt used to hammer the bolt in to the surface

- ▶ Once installed, remove the hex bolt and install the 6601-Series adapter of your choice (see page 37)
- ▶ Weighs 1.25 lb (0.57 kg)

6602-03 — Rebar Bolt M8 Threads

Wall/Column Bracket for Lasers and Total Stations



Dual mounting options enable flexibility on the construction job site

FEATURES & BENEFITS

- ▶ SECO's 4852-17 is a dual-use bracket for lasers and total stations
- ▶ Mounts easily to columns (or corners) and flat walls
- ▶ The unique design allows quick and easy separation for dual usage

- ▶ 5/8 x 11 platform holds the instrument 5 inches from the wall/column surface
- ▶ A ratchet and strap secures the bracket to columns up to 20 inches (use Extension Strap #D12328 for larger columns, offering 37 to 69 inches of extra length)

- ▶ Multiple nail/screw holes enable wall mounting
- ▶ Features a powder coated steel frame
- ▶ Weighs 5.00 lb (2.30 kg)

APPLICATIONS

- ▶ For use with Lasers and Total Stations on large construction sites

4852-17 — Wall/Column Bracket for Lasers and Total Stations

Heavy Duty Instrument Column Clamp

Mounts to structural columns for stability and support for heavy instruments



FEATURES & BENEFITS

- ▶ SECO's Heavy Duty Column Clamp has a solid stable design and works with all 5/8 x 11 instruments
- ▶ The adjustable column rotates and moves vertically to orient the instrument when needed and features 12 inches (30.48 cm) of height adjustment
- ▶ Now with 0.39" holes in each

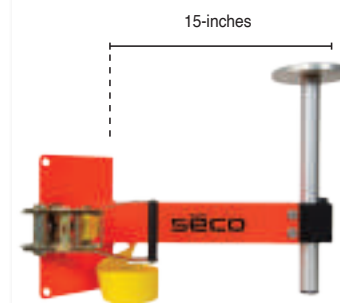
- corner for hard mounting with 3/8 bolts (not supplied)
- ▶ Centerline of the 5.8 x 11 stud to column measures 15 inches (38.1 cm)
- ▶ Includes 20 inch standard 3/4 inch NPT Pipe with Heavy Duty sliding clamp
- ▶ Constructed of structural aluminum for industrial applications and stainless steel hardware

- ▶ Weight is 15 lbs (6.8 kg)
- APPLICATIONS**
- ▶ For use with Robotic Total Stations and scanners
 - ▶ Ideal for mounting theodolites, lasers, etc.

Order 2"X10 ft ratchet strap kit 4852-18-050 as needed for different mounting options

4852-18 — Heavy Duty Instrument Column Clamp

Heavy-Duty Instrument Column Clamp



FEATURES & BENEFITS

- ▶ SECO's Heavy-Duty Column Clamp has a solid stable design and works with all 5/8 x 11 instruments
- ▶ The adjustable column rotates and moves vertically to orient the instrument when needed and features 12-inches (30.48 cm) of height adjustment
- ▶ Centerline of the 5/8 x 11 stud to column measures 15-inches (38.1-cm)
- ▶ Now with 0.39" holes in each

- corner for hard mounting with 3/8 bolts (not supplied)
 - ▶ Includes a 2-inch (5.08 cm) by 10-ft (3.05-m) strap rated for a 2200 pound load and a heavy-duty ratchet to create a strong connection to both round and square columns
 - ▶ Constructed of structural aluminum for industrial applications and stainless steel hardware
 - ▶ Weighs 13.75 lb (6.24 kg)
- APPLICATIONS**

- ▶ For use with Robotic Total Stations and scanners
- ▶ Ideal for mounting theodolites, lasers, etc.

4852-16 — Heavy-Duty Column Clamp

Rotating Laser Column Clamp

Accessories and components for rotating lasers



FEATURES & BENEFITS

- ▶ Works with all 5/8 x 11 instruments
- ▶ Column rotates to orientate the instrument when needed and features 1 ft (30 cm) of height adjustment
- ▶ Center-line of the 5/8 x 11 stud to column measures 6.5 in (16.5 cm)
- ▶ Designed to fit both round and square columns
- ▶ A ratchet strap quickly

- tightens the column clamp into place to create a strong connection to columns with diameters up to 20 inches (0.5 m)
- ▶ Made of aluminum and stainless steel
- ▶ An Extension Strap is also available (D12328, sold separately) which adds 37 to 69 in (94 to 175.2 cm) to the existing strap for big columns
- ▶ Weighs 5.10 lb (2.32 kg)

- APPLICATIONS**
- ▶ Perfect for lasers or Theodolites

4852-15 — Column Clamp



**Safety Utility Vest
8365-Series**

Designed to meet ANSI/ISEA Class 3 Standards



FEATURES & BENEFITS

- ▶ Made from durable ANSI/ISEA compliant polyester and polyester mesh
- ▶ Features include YKK™ zippers, 4 inch (10.16 cm) wide reflective tape with 2 inch (50.8 mm) wide silver stripes made with 3M Scotchlite® reflective material
- ▶ Adaptive Comfort® material by Outlast®, a Certified Space

- Technology™, designed to balance body temperature
- ▶ Developed in conjunction with surveyors from the California Department of Transportation
- ▶ Includes many quality features; multiple pockets for cell phone, tapes, radio, pencils, maps, spray cans and etc
- ▶ Plus, two inside pockets and comes with dual mic clips

APPLICATIONS

- ▶ Workplace safety
- ▶ Perfect for construction crews or surveyors near busy roads or other possibly hazardous locations where worker visibility is desired

PART NO.	COLOR	SIZE	
8365-42-FLY	Fluorescent Yellow	42 (S)	
8365-42-FOR	Fluorescent Orange	42 (s)	
8365-46-FLY	Fluorescent Yellow	46 (M)	
8365-46-FOR	Fluorescent Orange	46 (M)	
8365-50-FLY	Fluorescent Yellow	50 (L)	
8365-50-FOR	Fluorescent Orange	50 (L)	
8365-54-FLY	Fluorescent Yellow	54 (XL)	
8365-54-FOR	Fluorescent Orange	54 (XL)	
8365-58-FLY	Fluorescent Yellow	58 (XXL)	
8365-58-FOR	Fluorescent Orange	58 (XXL)	
8365-62-FLY	Fluorescent Yellow	62 (XXXL)	
8365-62-FOR	Fluorescent Orange	62 (XXXL)	
8365-66-FLY	Fluorescent Yellow	66 (J)	
8365-66-FOR	Fluorescent Orange	66 (J)	

**Safety Utility Vest
8265-Series**

Designed to meet ANSI/ISEA Class 2 Standards



FEATURES & BENEFITS

- ▶ Developed in conjunction with surveyors from the California DOT
- ▶ Features include bright fluorescent material, 4 inch (101.6 mm) wide contrasting reflective material with 2 inch (50.8 mm) wide silver stripes made of 3M™ Scotchlite™ reflective material
- ▶ Made of durable polyester, brass

- grommets, heavy-duty webbing and trim, and a genuine YKK™ zipper
- ▶ Adaptive Comfort® material by Outlast®, a Certified Space Technology™, designed to balance body temperature
- ▶ Features four large pockets on the outside and two generous pockets on the inside – great for field books, tapes, pencils, flagging,

- cell phones, etc
- ▶ Includes two spray can holders

APPLICATIONS

- ▶ Workplace Safety
- ▶ Perfect for construction crews or surveyors near busy roads or other possibly hazardous locations where worker visibility is desired

PART NO.	COLOR	SIZE	
8265-42-FLY	Fluorescent Yellow	42 (S)	
8265-42-FOR	Fluorescent Orange	42 (S)	
8265-46-FLY	Fluorescent Yellow	46 (M)	
8265-46-FOR	Fluorescent Orange	46 (M)	
8265-50-FLY	Fluorescent Yellow	50 (L)	
8265-50-FOR	Fluorescent Orange	50 (L)	
8265-54-FLY	Fluorescent Yellow	54 (XL)	
8265-54-FOR	Fluorescent Orange	54 (XL)	
8265-58-FLY	Fluorescent Yellow	58 (XXL)	
8265-58-FOR	Fluorescent Orange	58 (XXL)	
8265-62-FLY	Fluorescent Yellow	62 (XXXL)	
8265-62-FOR	Fluorescent Orange	62 (XXXL)	
8265-66-FLY	Fluorescent Yellow	66 (J)	
8265-66-FOR	Fluorescent Orange	66 (J)	

Safety Utility Vest 8068-Series

Designed to meet ANSI/ISEA Class 2 Standards and are ANSI 2020 Compliant



FEATURES & BENEFITS

- ▶ Durable fluorescent fabric is constructed of 100% polyester for softness, comfort, superior strength and abrasion resistance
- ▶ Features convenient pockets with sturdy fasteners, map

- ▶ pocket and mic clip
- ▶ Complies with ANSI/ISEA Class 2 standards for high-visibility safety apparel with two-inch-wide stripes of retroreflective tape
- ▶ Snaps on chest allow vest to close

APPLICATIONS

- ▶ Workplace Safety
- ▶ Perfect for construction crews or surveyors near busy roads or other possibly hazardous locations where worker visibility is desired

PART NO.	COLOR	SIZE	
8068-42-FLY	Fluorescent Yellow	42 (S)	
8068-42-FOR	Fluorescent Orange	42 (2)	
8068-46-FLY	Fluorescent Yellow	46 (M)	
8068-46-FOR	Fluorescent Orange	46 (M)	
8068-50-FLY	Fluorescent Yellow	50 (L)	
8068-50-FOR	Fluorescent Orange	50 (L)	
8068-54-FLY	Fluorescent Yellow	54 (XL)	
8068-54-FOR	Fluorescent Orange	54 (XL)	
8068-58-FLY	Fluorescent Yellow	58 (XXL)	
8068-58-FOR	Fluorescent Orange	58 (XXL)	
8068-62-FLY	Fluorescent Yellow	62 (XXXL)	
8068-62-FOR	Fluorescent Orange	62 (XXXL)	
8068-66-FLY	Fluorescent Yellow	66 (J)	
8068-66-FOR	Fluorescent Orange	66 (J)	

Safety Utility Vest 8069-Series

Designed to meet ANSI/ISEA Class 2 Standards and are ANSI 2020 Compliant



FEATURES & BENEFITS

- ▶ Vests are manufactured to meet ANSI/ISEA Class 2 standards
- ▶ Features a cool, comfortable mesh back and snaps in front to close vest

- ▶ 100% polyester
- ▶ Includes special compartments for notebooks, pencils, compass, flagging tape, etc
- ▶ Features exterior radio mic clip

APPLICATIONS

- ▶ Workplace Safety
- ▶ Perfect for construction crews or surveyors near busy roads or other possibly hazardous locations where worker visibility is desired

PART NO.	COLOR	SIZE	
8069-42-FLY	Fluorescent Yellow	42 (S)	
8069-42-FOR	Fluorescent Orange	42 (S)	
8069-46-FLY	Fluorescent Yellow	46 (M)	
8069-46-FOR	Fluorescent Orange	46 (M)	
8069-50-FLY	Fluorescent Yellow	50 (L)	
8069-50-FOR	Fluorescent Orange	50 (L)	
8069-54-FLY	Fluorescent Yellow	54 (XL)	
8069-54-FOR	Fluorescent Orange	54 (XL)	
8069-58-FLY	Fluorescent Yellow	58 (XXL)	
8069-58-FOR	Fluorescent Orange	58 (XXL)	
8069-62-FLY	Fluorescent Yellow	62 (XXXL)	
8069-62-FOR	Fluorescent Orange	62 (XXXL)	
8069-66-FLY	Fluorescent Yellow	66 (J)	
8069-66-FOR	Fluorescent Orange	66 (J)	

Dual Safety Utility Vest 8260-Series U.S./Canada

Designed to meet ANSI/ISEA Class 2 and Canadian CSA-Z96 Standards



FEATURES & BENEFITS

- ▶ Manufactured to meet ANSI/ISEA 107-2015 Class 2 and CSA-Z96 standards
- ▶ Vest compartments include a field notebook pocket, pencil slots, flagging tape pocket with grommets, and an internal cell phone pocket
- ▶ Includes a special padded collar made of Outlast®

- ▶ material for added comfort
- ▶ Four-inch-wide reflective tape that includes a two-inch-wide silver stripe and high-vis material makes this vest highly visible in any weather condition — day or night
- ▶ Also including two exterior radio mic clips and a front closing zipper
- ▶ Made of 100% polyester

APPLICATIONS

- ▶ Workplace Safety
- ▶ Perfect for construction crews or surveyors near busy roads or other possibly hazardous locations where worker visibility is desired

PART NO.	COLOR	SIZE	
8260-46-FOR	Fluorescent Orange	46 (M)	
8260-50-FOR	Fluorescent Orange	50 (L)	
8260-54-FOR	Fluorescent Orange	54 (XL)	
8260-58-FOR	Fluorescent Orange	58 (XXL)	
8260-62-FOR	Fluorescent Orange	62 (XXXL)	

Hydration Backpack

Stay hydrated on the job while maintaining workplace safety



FEATURES & BENEFITS

- ▶ 20 x 8 inches (50.8 x 20.32 cm)
- ▶ Chest strap, side release buckle
- ▶ 4-inch (101.6 mm) wide fabric with 2-inch (50.8 mm) wide reflective tape (same as safety vest)
- ▶ 1-inch (25.4 mm) wide polypropylene webbing allows shoulder straps to adjust
- ▶ 1000D Cordura Nylon is

- ▶ bonded to the 1/4-inch (6.35 mm) back padding
- ▶ Neoprene sleeve surrounds the hydration tube
- ▶ Bladder size 2.5 liters (84.5 fl oz)
- ▶ When bladder is completely full the hydration pack is 5 inches (127 mm) thick
- ▶ Mod-U-Lox® keeps hydration tube secure on either strap, allowing access to the bite valve for either right- or left-

- ▶ handed use (one on each side)
- ▶ Weighs (with water) 6.70 lb (3.03 kg)
- ▶ Weighs (without water) 1.20 lb (0.54 kg)
- Applications**
- ▶ Workplace Safety
- ▶ Construction environment

8125-60-FOR — Hydration Backpack BLADDER-L-BLU-T — Replacement Bladder



Backpack Carrying System

Easy to mount backpack system for carrying all large instrument containers



FEATURES & BENEFITS

- ▶ Easy to mount carrying system backpack
- ▶ Compatible with all large total station models
- ▶ Comfortable padded straps and padded back

- ▶ Ideal solution to carry total station and accessories from one job site to another
- ▶ Weight: 4 lbs
- ▶ Measures: 24 x 12 x 5 inches (folded)

- Applications**
- ▶ Keeps your total station safe and secure during transportation
- ▶ Workplace safety
- ▶ Construction environment

PART NO.	COLOR	LED LIGHT	
D13035-BLK	Black	No	
D13035-KHA	Khaki	No	

Utility Bags and Miscellaneous Cases

Designed to keep your field equipment and supplies safe and secure

- ▶ Features four exterior deep-zippered pockets — two front and two side
- ▶ Two interior pockets — 14 x 12 x 2 inches with hook-and-loop closures
- ▶ Heavy-duty nylon webbing carrying straps
- ▶ Measures 30 x 14 x 20 inches (76.2 x 35.6 x 50.8 cm)
- ▶ Weighs 3.78 lb (1.72 kg)



8106-10-ORG — **Monster Gear Bag**

- ▶ Excellent for carrying surveying accessories, clothing, and other miscellaneous gear
- ▶ Made of heavy-duty water resistant polyester
- ▶ Measures 27 x 11 x 11 inches (69 x 28 x 28 cm)
- ▶ Weighs 1.56 lb (0.71 kg)



8106-20-ORG — **Surveyor's Gear Bag with Rhinotek Bottom**

- ▶ Fits most large controllers like the Ranger™ series, Allegro, TSC3™
- ▶ Features a Velcro® flap closure, belt loop and shoulder strap
- ▶ Main compartment measures 10.25 x 5.25 x 2 inches (26 x 13.3 x 5 cm)
- ▶ Padded with 0.25 in (6.35 mm) 1000D Cordura material with khaki trim
- ▶ Outside pocket is 6 x 5 in (15 x 12.7 cm)
- ▶ Weighs 0.35 lb (0.16 kg)



8142-01-ORG — **Large Controllers Case**

- ▶ Features include an outside pocket with a Velcro closure and 2 inch straps made with heavy-duty webbing
- ▶ Also features a Rhinotek™ and leather reinforced bottom
- ▶ Measures 10.25 x 15 inches (26 x 38 cm)
- ▶ Weighs 1.30 lb (0.59 kg)



8095-20-ORG — **Heavy-Duty Collapsible Bucket Bag**

- ▶ Secure your cell phone to any survey pole without slipping
- ▶ Inside dimensions: 5 x 2.5 x 1.5 inches (12.7 x 6.35 x 3.81 cm)
- ▶ Weighs 0.10 lb (0.45 kg)



8143-22-FLY — **GNSS Rod Cell Phone Case**

- ▶ The MiFi Hotspot Case secures any MiFi unit to any GNSS survey pole or prism pole
- ▶ Easily attaches to a GNSS or prism pole with the metal clamp on case
- ▶ This pouch stays in place; it will not slip down the pole
- ▶ Features a window to clearly view the installed unit activity
- ▶ Works with all MiFi Hotspots and most smart phones on the market today
- ▶ A Velcro strap keeps unit safely inside clear pouch
- ▶ Inside dimensions 6 x 4.25 inches (15.24 x 10.8 cm)
- ▶ Constructed of heavy-duty Cordura®
- ▶ Comes in fluorescent yellow
- ▶ Weighs 0.35 lb (0.16 kg)



8143-40-FLY — **MiFi Hotspot Case**

Tool Pouches

Designed to keep your tools safe and organized

- ▶ Features include an 11 x 7 inch (28 x 18 cm) and 6 x 4 inch (15 x 10 cm) pouches
- ▶ Has slots for markers, a loop for axes or hammers
- ▶ Weighs 0.40 lb (0.18 kg)



8046-20-ORG — **Construction-Style Tool Pouch**

- ▶ Features a 9 x 2 x 11 inch (22.9 x 5.08 x 27.9 cm) pocket
- ▶ Large pocket is lined with two layers of 1000D Cordura
- ▶ Webbed belt adjusts to a 50 inch (127 cm) waist
- ▶ Includes a hammer loop and marker storage
- ▶ Weighs 1.05 lb (0.48 kg)



8046-30-ORG — **Surveyor's Tool Pouch with Belt**

GNSS Pole and Tripod Bags

Designed to keep your GNSS tripods and rods safe and secure

- ▶ This bag features heavy-duty Cordura® and reinforced Rhinotek™ material
- ▶ Shoulder strap is included
- ▶ Use with Heavy-Duty GNSS Antenna Tripods (5119-10)
- ▶ Measures: 8 inch ID x 56 inches (20.32 x 142.24 cm)
- ▶ Weighs 1.80 lb (0.82 kg)



8154-12-ORG — **Heavy-Duty GNSS Tripod Bag**

- ▶ Use with our Collapsible GNSS Antenna Tripod (5119-00) or other conventional tripods
- ▶ Designed to carry the tripod without the point on the center pole to prevent damage to the pole
- ▶ Features a full length heavy-duty zipper
- ▶ Weighs 1.70 lb (0.77 kg)
- ▶ Inside Dimensions: 7"x 50"



8154-00-ORG — **Collapsible GNSS Antenna Tripod Bag**

- ▶ Designed to protect the rods during transportation or storage
- ▶ 5.5 ID x 41 inches long with a 10" flap
- ▶ Weighs 0.45 lb (0.20 kg)



8162-00-ORG — **GPS Rover Rod Carrying Case**

Instrument Tripod Bags and Cases

Designed to keep your instrument tripods safe and secure

- ▶ The SECO Instrument Tripod Bag holds all major brands of aluminum and wooden tripods
- ▶ Made of heavy-duty nylon Cordura, with a Rhinotek bottom, and pull string ties at the top
- ▶ Measures: 52 x 8.75 OD inches (132 x 22.23 OD cm)
- ▶ 8150-20 weighs 1.85 lb (0.84 kg)



8150-20-ORG — **Heavy-Duty Tripod Bag with Rhinotek Bottom**

- ▶ Replacement carrying case for Radio Antenna Tripod
- ▶ Case comes included when you purchased the Radio Antenna Tripod (5300-11 & 5300-12)
- ▶ Outside Dimensions: 8 inches x 54 inches



8154-10-ORG — **Radio Antenna / Elevated Tripod Carrying Case**

- ▶ Features a full-length zipper and shoulder strap
- ▶ Measures: 82 x 9 OD inches (208.28 x 22.86 OD cm)
- ▶ Weighs 1.88 lb (0.85 kg)



8153-10-ORG — **Extra-Large Antenna / Elevator Tripod Carrying Case**

- ▶ This bag holds a 2 meter Snap-Lock pole and bipod or tripod (connected)
- ▶ Constructed of tough Cordura material and Rhinotek ends
- ▶ Measures 56 inches long (1.42 m)
- ▶ Weighs 1.50 lb (0.68 kg)



8151-02-FLY — **Heavy-Duty Snap-Lock 2-Meter Pole System Bag**

- ▶ Heavy-duty bag for carrying many different brands of tripods, including SECO and Tri-Max
- ▶ Features zipper closure
- ▶ Measures: 48 x 8 OD inches (121.9 x 20.3 OD cm)
- ▶ Weighs 1.80 lb (0.82 kg)



8154-11-ORG — **Super-Duty Tripod Bag**

Rover Rods and Prism Pole Tripod Cases

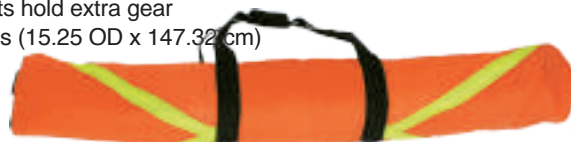
Designed to keep your Rover rod, Robotics pole and Prism pole tripods safe and clean

- ▶ Store your two-piece rover rod in this hard shell case and know it's protected
- ▶ Measures 4 ID x 41 in (10.16 ID x 104.14 cm)
- ▶ Weighs 3.20 lb (1.40 kg)



8162-20-BLK — GNSS Rover Rod Hard Shell Case

- ▶ External and internal side pockets hold extra gear
- ▶ Measurements: 6 OD x 58 inches (15.25 OD x 147.32 cm)
- ▶ Weighs 2.70 lb (1.23 kg)



8157-01-ORG — Long Padded System Bag

- ▶ Protect your prism or range pole from dirt and moisture
- ▶ Measures: 61.5 x 6 in (156.21 x 15.24 cm)
- ▶ Weighs 0.68 lb (0.31 kg)



8160-00-ORG — Prism or Range Pole Protective Bag

- ▶ The heavy-duty material-covered tube holds one- or two-section poles or rods
- ▶ Measures: 65 inches (1.63 m) in length
- ▶ Use to protect and carry your pole or rod
- ▶ Weighs 5.50 lb (2.50 kg)



8160-20-BLK — Prism Pole Hard Shell Case

- ▶ Designed to carry a prism pole bipod or tripod attached
- ▶ Has a fold-over flap and shoulder strap
- ▶ Made from nylon Cordura and durable Rhinotek
- ▶ Measures: 7.5 ID x 60 inches (19.1 ID x 152 cm)
- ▶ Weighs 1.55 lb (0.70 kg)



8180-20-ORG — Heavy-Duty Prism Pole Bipod/Tripod Bag

Assorted Rod Carrying Cases

Designed to keep your One Shot, DE rod, Range pole, LR-STD, LR-PRO and CR rod safe and clean

- ▶ This carrying case is made from the highest quality 1000-denier nylon
- ▶ Water-resistant
- ▶ Measures: 4.5 x 82 inches (11.4 x 208.3 cm)
- ▶ Weighs 0.45 lb (0.20 kg)



91402 — LR-STD/LR-PRO Carrying Case

- ▶ Fits 13 ft (4 m), 16 ft (5 m) and 20 ft (6 m) rods
- ▶ Made from 1000-denier nylon
- ▶ Water-resistant
- ▶ Measures: 4.25 x 65.5 inches (10.8 x 166.4 cm)
- ▶ Weighs 0.45 lb (0.20 kg)



91411 — CR-13/16/20 ft / SVR-17/25 Carrying Case

- ▶ Textured heavy-duty poly
- ▶ Measures 7.5 x 46 inches (19.05 x 116.84 cm)
- ▶ Weighs 0.48 lb (0.22 kg)



8170-00-ORG — Range Pole Case

- ▶ Fits 8 ft (2.4 m) rods
- ▶ Made from 1000-denier nylon
- ▶ Water-resistant
- ▶ Measures: 3.5 x 56.5 inches (8.9 x 143.5 cm)
- ▶ Weighs 0.30 lb (0.14 kg)



91410 — CR-8 ft/2.4m Carrying Case

BACK BY POPULAR DEMAND!

This DE Rod Bag, previously discontinued, has been brought back through customer requests

- ▶ Extremely durable Cordura(R) bag with reinforced bottom
- ▶ Pocket for a sensor bracket
- ▶ Shoulder strap included
- ▶ 4 x 71 inch (10.16 x 180.34 cm)
- ▶ Weighs 0.5 lb (0.23 kg)

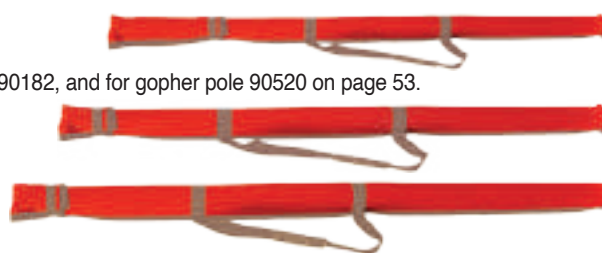


8166-01-ORG — Direct Elevation Rod Bag

CMR Measuring Ruler Cases

- ▶ Made from the highest-quality 1000-denier nylon.
- ▶ For use with our rugged fiberglass CMR Series Measuring Rulers 90180, 90181 and 90182, and for gopher pole 90520 on page 53.

PART NO.	SIZE	
91415	3.5 x 65 in (8.89 x 165.1 cm)	
91416	4.5 x 68 in (11.43 x 172.72 cm)	
91417	4.5 x 76 in (11.43 x 193.04 cm)	



Lath and Stake Bags

Designed to hold your lath and stakes secure

- ▶ Carries up to 50 lath or rebar
- ▶ Measures 9 x 38 inches (2.54 x 96.52 cm)
- ▶ Weighs 0.22 lb (0.10 kg)



8102-01-ORG — 38 inch Lath Carrier

- ▶ Carries up to 50 lath or rebar
- ▶ Measures 9 x 38 inches (2.54 x 96.52 cm)
- ▶ Weighs 0.22 lb (0.10 kg)



8102-00-ORG — 38 inch Lath Carrier

- ▶ Use to carry 21 inch (53 cm) or 30 inch (76 cm) flags
- ▶ 8093-00-ORG weighs 0.22 lb (0.10 kg)
- ▶ 8094-00-ORG weighs 0.28 lb (0.13 kg)



8093-00-ORG — Wire Stake Flag Bag for 21 in Flags
8094-00-ORG — Wire Stake Flag Bag for 30 in Flags

- ▶ Holds 24 inch (61 cm) wood lath
- ▶ Features a hand loop, shoulder strap, outside pocket
- ▶ 8 inch (20.3 cm) inside diameter
- ▶ Weighs 0.40 lb (0.18 kg)



8103-20-ORG — Heavy-Duty Rhinotek Lath Bag

- ▶ Heavy-duty lath carrier fits 36 or 48-inch lath
- ▶ Features space inside for any standard 12 inch, five-gallon bucket
- ▶ Weighs 1.50 lb (0.68 kg) without bucket and approx. 3.85 lb (1.75 kg) with bucket added



8104-20-ORG — Heavy-Duty Bucket Lath Carrier

- ▶ The main compartment of this bag is constructed of tough Rhinotek™ material and designed to hold 18 inch stakes or rebar
- ▶ Include hammer loop, adjustable strap and brass grommet drain holes — the 8091-20-ORG features a partition
- ▶ Standard bag weighs 1.55 lb (0.70 kg)
- ▶ Partitioned bag weighs 1.70 lb (0.77 kg)



8090-20-ORG — Heavy-Duty 18-inch Bag for Stakes or Rebar
8091-20-ORG — Heavy-Duty 18-inch Bag w/ Center Partition

- ▶ This stake bag is the same as the 8090-20-ORG, but holds 24 inch stakes
- ▶ Features a Rhinotek bottom
- ▶ Standard bag weighs 1.70 lb (0.77 kg)
- ▶ Partitions bag weighs 1.60 lb (0.73 kg)



8092-20-ORG — Heavy-Duty 24-inch Bag for Stakes or Rebar
8096-20-ORG — Heavy-Duty 24-inch Bag w/ Center Partition

- ▶ Heavy-Duty Lath Bag but with Rhinotek material on the bottom and six inches up the sides
- ▶ Designed in two sizes: 8 inches wide by 36 or 48 inches deep
- ▶ Both weigh approximately 1.50 lb (0.68 kg)



8100-20-ORG — 36 inch Heavy-Duty Lath or Rebar Bag
8101-20-ORG — 48 inch Heavy-Duty Lath or Rebar Bag

- ▶ Choose between a standard spray can holder or a holder with updated features like four pockets for pens/pencils and a heavy web strap
- ▶ Both weighs approximately 1.00 lb (0.45 kg)



8098-00-ORG — Standard Spray Can Holder
8098-10-ORG — With Accessory Pockets (shown)

Front and Top Loading Total Station Cases

Heavy-duty cases for your Total Station



- FEATURES & BENEFITS**
- ▶ Features a Rhinotek™ bottom and durable backpack straps

- ▶ Measures between the pads: 14 x 9 x 7 in (35.6 x 22.9 x 17.8 cm)

- Applications**
- ▶ Keeps your total station safe and secure during transport

PART NO.	LOADING SPACE	FEATURES	WEIGHS	
8120-00-ORG	Front Loading	Cloth Frame	5.75 lb (2.61 kg)	
8121-00-ORG	Top Loading	Cloth Frame	5.75 lb (2.61 kg)	
8123-00-ORG	Top Loading	Aluminum Frame	7.50 lb (3.40 kg)	

Total Station, GIS and GNSS Backpacks

Designed to keep your Total Station, GIS and GNSS equipment safe and secure

- ▶ This pack includes a cam-lock antenna pole, adjustable straps, several interior pockets, belt loop straps, rain flap and much more
- ▶ Interior dimensions (measured between the pads): 15 x 9 x 4 in
- ▶ Pole extends from 15 7/8 to 32 inches (40.3 to 81.3 cm)
- ▶ Has 5/8 x 11 tip on antenna pole
- ▶ Weighs 2.00 lb (0.91 kg)



8125-50-ORG — Small GIS Backpack
D10694-T — Replacement Range Pole, Twist Lock



- ▶ Features a double-zipped, top-loading station compartment lined with rigid foam padding, two side pockets for cables, and one front battery pocket
- ▶ Comfortable padded belt with lumbar back support system, shoulder straps with all-point adjustment features, and a rubberized carrying handle
- ▶ The free-standing aluminum frame keeps the pack upright even when fully loaded
- ▶ Has a top rain flap with closure and rain flaps on the side pockets
- ▶ Features a Rhinotek bottom
- ▶ Interior dimensions (measured between the pads): 17 x 10 x 10 in
- ▶ Exterior dimensions: 24.5 x 15 x 16 in
- ▶ Weighs 8.00 lb (3.62 kg)
- ▶ Holds 40 lb (18.14 kg)



8134-00-ORG — Robotics Backpack



- ▶ The Total Station Backpack is similar in style to a commercially available lightweight day pack
- ▶ Main compartment has an innovative 'wrap' made of 3/8-inch high-density foam with hook and loop adjustment that securely cradles all total stations
- ▶ Features extra pockets and Rhinotek™ bottom
- ▶ 8120-40: Height – 18" (46 cm), Bottom – 9" X 10" (23 cm x 25 cm)
- ▶ 8120-30: Height – 15" (38 cm), Bottom – 7" X 9" (18 cm x 23 cm)
- ▶ Weighs 2.40 lb (1.10 kg)



8120-30-ORG — 400 mm Total Station Backpack (shown)
8120-40-ORG — 500 mm Total Station Backpack



- ▶ This pack, which includes cool mesh and foam back pad, offers a convenient and comfortable way to transport and manage GIS instrumentation
- ▶ Features include a built-in pocket for CamelBak® or other hydration systems
- ▶ Includes a protective rain flap
- ▶ Also features adjustable internal pockets; padded, adjustable shoulder straps, and waist belt
- ▶ Constructed of heavy-duty, high-vis polyester
- ▶ Interior dimensions: 20 x 9.5 x 4 in
- ▶ Includes a 5/8 x 11 tip
- ▶ Weighs 2.80 lb (1.27 kg)



8125-11-ORG — Large GIS Backpack with Cam-Lock Antenna Pole



Prism and Tribrach Bags make excellent tablet bags for the field!

Prism and Tribrach Bags

Designed to keep prisms and tribrachs secure

- ▶ Heavily padded for single prisms
- ▶ Interior dimensions (measured between the pads): 5 x 7 x 2 inches
- ▶ Weighs 0.48 lb (0.22 kg)



8070-00-ORG — Single Prism Bag



- ▶ For triple prisms and prism targets or tribrachs
- ▶ Interior dimensions (measured between the pads): 10 x 9.5 x 3 inches
- ▶ Weighs 1.06 lb (0.48 kg)



8081-00-ORG — Jumbo Triple Prism Bag



- ▶ Heavily padded for triple prisms
- ▶ Interior dimensions (measured between the pads): 9 x 7 x 2 inches
- ▶ Weighs 0.75 lb (0.34 kg)



8080-00-ORG — Triple Prism Bag



- ▶ Easily holds a tribrach
- ▶ Interior dimensions (measured between the pads): 6 x 6 x 2 inches
- ▶ Weighs 0.40 lb (0.18 kg)



8071-00-ORG — Tribrach Case



- ▶ Holds a tilting prism with tribrach and adapter
- ▶ Interior dimensions (measured between the pads): 12 x 12 x 3 inches
- ▶ Weighs 1.85 lb (0.84 kg)



8082-00-ORG — Super Jumbo Padded Bag



- ▶ Designed for vertical triple prism assemblies
- ▶ Holds target with tribrach and adapter
- ▶ Interior dimensions (measured between the pads): 15 x 8 x 2 inches
- ▶ Available in Orange
- ▶ Weighs 1.45 lb (0.66 kg)



8130-00-ORG — Tall Triple Prism Bag



ChrisNik MagNails®, MagSpikes® and MagHubs®

Corrosion resistant and magnetized for easy detection

- ▶ Mag Nails have been coated with an environmentally friendly zinc and clear chromate to resist corrosion
- ▶ Stronger, more durable, higher quality, magnetic and longer lasting than other nails
- ▶ Mag Nails are larger and magnetic making them easier to locate using the naked eye or a locator
- ▶ Each box includes 100 Mag Nails
- ▶ Constructed of premium steel that produces the

- most durable survey marker in the industry
- ▶ Like the Mag Nail the Mag Spike is magnetized for easy detection
- ▶ Featuring a large center point and 1-inch (25.4 mm) diameter head makes it great for control points and property corners
- ▶ Made in the USA
- ▶ The Mag Hub is magnetized for easy detection and zinc plated to resist corrosion

- ▶ Featuring a large center point and looks like a standard survey marker
- ▶ Not made to be driven into asphalt or concrete
- ▶ Easy to carry and less expensive than stakes
- ▶ Mag Hubs come in a 30 lb (13.61 kg) box approximate quantities are below
- ▶ Free Freight does not apply.



PART NO.	SIZE	QUANTITY	WEIGHTS
ChrisNik MagNails			
24750-CS	3/4 x 1/8 inch	100 per box, 12 box per case	7 lb/case
241000-CS	1 x 5/32 inch	100 per box, 12 box per case	11 lb/case
241250-CS	1 1/4 x 3/16 inch	100 per box, 12 box per case	18 lb/case
241500-CS	1 1/2 x 1/4 inch	100 per box, 12 box per case	33 lb/case
242000-CS	2 x 1/4 inch	100 per box, 12 box per case	41 lb/case
242500-CS	2 1/2 x 1/4 inch	100 per box, 12 box per case	48 lb/case
ChrisNik MagSpikes			
253MAGSPIKE	3/8 x 3 inch	25 per box	2.5 lb (1.13 kg)
256MAGSPIKE	3/8 x 6 inch	20 per box	4.00 lb (1.18 kg)
258MAGSPIKE	3/8 x 8 inch	20 per box	5.00 lb (2.27 kg)
ChrisNik MagHubs			
23MAGHUB6	1/4 x 6 inch	Approx...367	30.00 lb (13.61 kg)
23MAGHUB8	1/4 x 8 inch	Approx...272	30.00 lb (13.61 kg)

Flagging Dispenser



- ▶ The steel Presco Roll Flagging Belt Dispenser is a convenient time-saver
- ▶ Weighs 1.30 lb (0.59 kg)

8025-00-ORG — Padded Flagging Dispenser



Miscellaneous Accessories

- ▶ Use our 13 inch blade for clearing that thick underbrush on the job site
- ▶ Weighs approx. 1.00 lb (0.45 kg)



9500-13 — 13 inch blade, includes sheath 

- ▶ Pin cushion for holding stake tacks



25456855 — Stake Tacks 1 LB 
2180-00 — Regular Tac Ball 
2180-01 — Tac Ball with Clip 

- ▶ Each solid brass bob features a hardened steel point and a storage area for a spare point



6000-012	12 oz	340 g	
6000-014	14 oz	397 g	
6000-016	16 oz	454 g	
6000-018	18 oz	510 g	
6000-024	24 oz	680 g	
6000-032	32 oz	907 g	

- ▶ Replacement caps and points fit all SECO plumb bobs



6000-001 — Plumb Bob Cap 
6000-002 — Plumb Bob Point 

- ▶ The 3/16 inch spring steel, 14 inch pins are powder-painted red and white, alternating at each inch
- ▶ Quiver (8041-00-ORG) sold separately
- ▶ Weighs 1.54 lb (0.70 kg)



2183-00 — Marking Pins 11 count 

- ▶ Heavy-duty sheath is double stitched top grain leather with a belt loop for SECO plumb bobs



6000-120 — Leather Sheath for 10-12 oz (283-340 g) 
6000-160 — Leather Sheath for 14-18 oz (397-454 g) 
6000-240 — Leather Sheath for 24-32 oz (510-907 g) 

- ▶ Shot bags are great for holding down maps or blueprints in windy conditions
- ▶ Weighs 1.50 lb (0.68 kg)



8010-10-BLU — Cordura Shot Bag 

- ▶ **6001-06**
- ▶ Gammon Reel® Plumb Line Reel for Surveyors
- ▶ Designed for use in the surveying field
- ▶ 6-1/2 foot (1.9m) orange string
- ▶ Quickly retracts eliminating tangled string



- ▶ **6001-12**
- ▶ Gammon Reel® Plumb Line Reel
- ▶ Designed for use in the construction field

- ▶ 12 foot (3.6m) fluorescent red string
- ▶ Mylar® protected target also serves as a sight
- ▶ Quickly retracts eliminating tangled string

6001-06 — Gammon Reel 6.5 ft (1.9m) 
6001-12 — Gammon Reel 12 ft (3.7 m) 

- ▶ 24 yard (7.3m) bobbin of Gammon Reel refill cord
- ▶ Available in Flo Red and Orange



6001-FR — Gammon Reel Refill - Flo Red 
6001-OR — Gammon Reel Refill - Orange 

- ▶ 10 lb of Shiners with bag included
- ▶ Approximate qty: 1,125
- ▶ Weighs 10.00 lb (4.53 kg)



2181-10 — Bulk Shiners - Flat 

- ▶ Raised Shiners are 15/16" OD, 1.31 in (33.3 mm) OD
- ▶ Features a raised 29 mm center
- ▶ Weighs 1.00 lb (0.45 kg)



2182-00 — Raised Shiners, 260 count 

- ▶ Flat shiners are 2.25 in (57.2 mm) OD
- ▶ Featuring punched centers with crimped edges
- ▶ Weighs 2.60 lb (1.18 kg)



2181-00 — Flat Shiners, 250 count 

Rite in the Rain

- ▶ Rite in the Rain bound books ensure that your valuable data won't be lost
- ▶ These all-weather books have 160 pages (80 sheets), including a title and contents page
- ▶ This 4-3/4 x 7-1/2 inch yellow field book also features a sewn binding
- ▶ Books sold individually
- ▶ Weighs 0.65 lb (0.29 kg)



Transit Pattern
8 vertical lines
to the inch



Level Pattern
6 vertical columns
on the page

300F — Transit Pattern Bound Book 
310F — Level Pattern Bound Book 

- ▶ Rite in the Rain bound books ensure that your valuable data won't be lost
- ▶ Overall Size: 4.625 x 7 inches (11.75 x 17.78 cm)
- ▶ Soft Cover Material: Polydura (recycled material)
- ▶ Binding: side-spiral
- ▶ Number of Pages: 64 (32 sheets)
- ▶ Books sold individually
- ▶ Weighs 0.20 lb (0.09 kg)



303 — Transit pattern Recyclable Side-spiral Notebook 
353 — Field pattern Recyclable Side-spiral Notebook 



ROTHBUCHER SYSTEMS

Rothbucher Systems offers Smart Solutions in the survey field and for Monitoring. They are also very successful for BIM and the Digital Construction Site



RS Surveying Accessory System

SECO offers the full range of Rothbucher Systems products

CONSTRUCTION

Solutions for

- Finished Floor Level
- BIM
- Digital Construction
- Setting Out

MONITORING

Exceptional solutions for

- Façades
- Historic Buildings
- Track Monitoring
- Bridges
- Etc.

ONE POINT FITS ALL

One Reference Point for all instruments!

Create fixed points quickly, easily and permanently – a unique system with multiple options



Explaining video on YouTube

HIGH QUALITY SCANNER & DRONE TARGETS

- Also for heights even above 100 meters
- Waterproofed
- UV resistant
- Targets also unfoldable available



Contact your SECO dealer for more information

PART NUMBER	PAGE	PART NUMBER	PAGE	PART NUMBER	PAGE	PART NUMBER	PAGE	PART NUMBER	PAGE
23MAGHUB6	71	2182-00	72	5114-050	14	5144-02	27	5200-073	8
23MAGHUB8	71	2183-00	72	5114-051	14	5145-00-FLY	27	5200-074	8
253MAGSPIKE	71	241000-CS	71	5114-052	14	5145-02	27	5200-075	8
256MAGSPIKE	71	241250-CS	71	5114-10	14	5145-03	27	5200-076	8
258MAGSPIKE	71	241500-CS	71	5114-20-050	16	5150-02-WOR	27	5200-077	8
300F	73	242000-CS	71	5114-20-051	16	5160-02-WOR	27	5200-079	9
303	73	242500-CS	71	5114-21-054	16	5180-00	11	5200-080	10
310F	73	24750-CS	71	5114-40-01	17	5181-00	11	5200-082	8
353	73	25456855	72	5114-40-02	17	5182-001	27	5200-150	9
2001-00	41	300F	73	5115-00-FLY	5	5187-00	13	5200-151	9
2002-00	41	303	73	5115-00-YEL	5	5187-00-SS	13	5200-152	9
2010-00	41	310F	73	5119-00-FLY	5	5190-00-KIT	26	5200-153	9
2020-00	41	353	73	5119-00-FOR	5	5191-00	26	5200-154	9
2070-00	41	3003-06	54	5119-00-YEL	5	5192-00	26	5200-155	9
2070-02	20, 41	3003-07	54	5119-10-FLY	5	5192-02	26	5200-16-050	7
2071-00	41	3003-10	54	5119-10-YEL	5	5193-04	26	5200-160	9
2072-050	5	3006-06	54	5124-01	27	5194-00	26	5200-164	9
2072-30	5	3006-07	54	5125-00-FLY	11	5194-003-KIT	26	5200-165	9
2072-31	5	3006-10	54	5125-00-FLY-GT	11	5194-007-KIT	26	5200-166	9
2072-32	5	3006-11	54	5125-00-FLY-GTA	11	5194-01	26	5200-167	9, 10
2072-33	5	3006-18	54	5125-00-YEL	11	5194-03-KIT	26	5200-17-050	7
2072-51	38	4300-KR	57	5125-01-YEL	11	5194-04	26	5200-201	8
2072-52	38	4 520 800	38	5125-050	14	5194-05-KIT	26	5200-29-050	7
2080-00	11	4769-00	54	5125-056	14	5194-10	26	5200-30	7
2080-SS	11	4769-01	54	5125-057-FLY	14	5194-10-002	26	5200-31	7
2090-00	12	4769-02	54	5125-06-YEL	11	5195-01	26	5200-32	7
2090-01	13	4769-03	54	5125-20-FLY	12	5196-02	10	5200-33	7
2090-02	13	4769-04	54	5125-20-YEL	12	5196-07	10	5200-35	7
2090-04	13	4769-06	54	5125-22-FLY	12	5196-17	10	5200-29-051	6
2090-06	13	4769-14	54	5126-10	14	5196-18	10	5200-30-051	6
2090-07	13	4770-00	54	5128-00	11	5196-19	10	5200-31-051	6
2090-10	13	4770-01	55	5128-052	14	5196-20	10	5200-35-051	6
2090-11	12	4811-24	58	5128-08	11	5196-22	10	5200-37-051	6
2090-12	12	4811-32	58	5128-20	12	5198-052	9	5200-38-051	6
2090-13	13	4852-14	59	5128-22	12	5198-054	9	5200-39-052	6
2090-14	13	4852-15	61	5128-24	12	5198-055	9	5200-40-051	6
2090-15	13	4852-16	61	5129-50	11	5198-056	9	5200-41	7
2090-17	13	4852-17	60	5129-51	11	5198-059	9	5200-41-051	6
2090-19	13	4852-18	61	5129-52	21	5198-073	9	5200-42-051	6
2090-21	13	4900-00	26	5129-52-SW	21	5198-081	9	5200-42	7
2090-26	13	5001-10	18	5129-53	21	5198-086	8	5200-43	7
2120-00	47	5001-12	18	5129-53-SW	21	5198-152	9	5200-44-051	6
2130-00	47	5001-20	18	5129-54	21	5198-153	9	5200-45	9
2131-00	11	5010-00-FLY	22	5129-70	11	5198-157	25	5200-95	6
2131-01	11	5010-00-RED	22	5129-71	11	5198-163	25	5200-96	6
2131-02	11	5010-01	22	5129-72	21	5198-52	17	5214-00	29
2132-01	47	5070-051-40	18	5129-72-SW	21	5199-050	8	5214-01	27
2133-03	10	5079-066	13	5129-73	21	5199-051	8	5216-00	35
2133-05	10	5081-052-40	11, 18	5129-73-SW	21	5199-052	8	5217-04-FLY	28
2152-04-BLK	41	5090-00	12	5130-00-FLY	27	5199-054	8	5217-04-FOR	28
2152-05-BLK	41	5110-00-FLY	27	5130-01-FLY	27	5199-082	8	5217-04-RED	28
2153-02-BLK	41	5110-00-RED	27	5130-10	27	5200-046	10	5217-04-YEL	28
2153-04-BLK	41	5110-01-FLY	27	5131-01-FLY	27	5200-050	8	5217-05-FLY	29
2153-10-BLK	41	5111-00	13	5131-00-YEL	27	5200-058	8	5217-05-FOR	29
2159-01-BLK	40	5111-00-SS	13	5132-00-ACL	27	5200-059	8	5217-05-RED	29
2159-050	40	5111-04	14	5139-02-FLY	14	5200-062	8	5217-05-YEL	29
2180-00	72	5111-04-051	14	5140-02-WOR	27	5200-064	8	5217-072	29
2180-01	72	5113-012	14	5143-00-FLY	27	5200-065	8	5217-15-ABK	13
2181-00	72	5114-01	14	5143-02	27	5200-070	8	5217-20-FLY	48
2181-10	72	5114-02	14	5144-00-FLY	27	5200-072	8	5217-21-FOR	48

PART NUMBER	PAGE	PART NUMBER	PAGE	PART NUMBER	PAGE	PART NUMBER	PAGE	PART NUMBER	PAGE
5217-30	29	5531-30	25	6402-03-FLB	31	6703-002	20	8068-66-FOR	64
5217-40-FLY	29	5540-10	24	6402-03-FOB	31	6703-005	20	8069-42-FLY	64
5217-40-RED	29	5540-20	24	6402-03-YLB	31	6703-007	20	8069-42-FOR	64
5217-40-YEL	29	5540-30	24	6402-05-FOB	32	6703-008	20	8069-46-FLY	64
5218-02-FLY	29	5541-10	24	6402-05-YLB	32	6703-011	19	8069-46-FOR	64
5218-02-FOR	29	5541-20	24	6402-06-FLB	32	6703-012	20	8069-50-FLY	64
5218-02-RED	29	5541-30	24	6402-06-FOB	32	6703-013	20	8069-50-FOR	64
5218-02-YEL	29	5561-20	6	6402-06-YLB	32	6703-014	20	8069-54-FLY	64
5218-06-FLY	28	5600-10	24	6402-10-FLB	32	6703-015	19	8069-54-FOR	64
5218-06-FOR	28	5610-00	47	6402-10-FOB	32	6703-10	21	8069-58-FLY	64
5218-06-RED	28	5610-01	47	6402-10-YLB	32	6703-20	21	8069-58-FOR	64
5218-06-YEL	28	5610-12	47	6402-20-FLB	31	6704-001	19	8069-62-FLY	64
5218-15-ABK	29	5610-15	46	6402-20-FOB	31	6704-002	19	8069-62-FOR	64
5218-40-FLY	29	5631-10	25	6402-20-YLB	31	6704-003	20	8069-66-FLY	64
5218-40-RED	29	5631-20	25	6405-01-FLY	35	6704-004	19	8070-00-ORG	70
5218-40-YEL	29	5631-30	25	6405-01-FOR	35	6704-10	19	8071-00-ORG	70
5219-03	28	5700-10	23	6405-10-FOR	35	6704-10-CASE	19	8080-00-ORG	70
5219-05	28	5700-20	23	6405-11-FLY	35	6705-10	21	8081-00-ORG	70
5220-13-BLK	45	5700-21	22	6405-11-FOR	35	6705-20	21	8082-00-ORG	70
5300-11	6	5720-10	23	6405-12-FOR	35	6705-30	15	8082-01-ORG	20
5300-12	6	5801-054-40	18	6405-13-FLY	35	70014-6	48	8090-20-ORG	69
5301-21-BLK	46	5801-10	24	6406-00	34	70014-7	48	8091-20-ORG	69
5301-21-ORG	46	5802-10	22	6406-01	33	7220-01	54	8092-20-ORG	69
5301-24-BLK	46	5802-20	22	6406-02	33	7301-30	49	8093-00-ORG	69
5301-25-BLK	46	5813-10	24	6410-00	34	7301-40	49	8094-00-ORG	69
5301-31-BLK	45	5901-00-FLY	25	6411-00	40	7301-50	49	8095-20-ORG	66
5301-31-ORG	45	5902-00-FLY	25	6411-02-BLK	40	7304-01	48	8096-20-ORG	68
5302-13-BLK	44	5910-01-ARD	36	6411-03-BLK	40	7321-050	48	8098-00-ORG	69
5302-13-ORG	44	5910-02-ARD	36	6411-04-BLK	40	7321-30	49	8098-10-ORG	69
5311-21-ORG	46	5910-05	36	6416-00	40	7321-40	41	8100-20-ORG	69
5321-16-BLK	45	5910-06	36	6422-02-FOB	31	7321-50	49	8101-20-ORG	69
5321-17-ORG	44	5910-24	36	6422-02-YLB	31	7341-40	49	8102-00-ORG	69
5500-11	23	6000-001	72	6422-20-YLB	31	7341-41	49	8102-01-ORG	69
5500-21	23	6000-002	72	6440-00-FOR	33	7341-45	49	8103-20-ORG	69
5500-23	22	6000-012	72	6450-00-BLK	36	7341-51	49	8104-20-ORG	69
5500-30	23	6000-014	72	6455-00	33	7341-52	49	8106-10-ORG	66
5501-11	22	6000-016	72	6600-01	39	7341-55	49	8106-20-ORG	66
5503-30	22	6000-018	72	6600-01-001	39	7341-56	49	8120-00-ORG	69
5512-11	23	6000-024	72	6600-02	39	7400-10	51	8120-30-ORG	70
5512-13-FLY-GM	12, 23	6000-032	72	6600-03	39	7400-20	51	8120-40-ORG	70
5512-13-FLY-GT	23	6000-120	72	6600-04	39	7400-30	51	8121-00-ORG	69
5512-14-FOR-GM	12	6000-160	72	6600-05	39	8010-10-BLU	72	8123-00-ORG	69
5512-14-FOR-GT	12	6000-240	72	6600-10	356	8025-00-ORG	71	8125-11-ORG	70
5520-11	23	6001-06	72	6601-01	38, 48	8030-00-CABLU	56	8125-50-ORG	70
5520-21	23	6001-12	72	6601-02	38	8046-10-BLU	17	8125-60-FOR	65
5520-30	23	6001-FR	72	6601-03	38	8046-20-ORG	66	8130-00-ORG	70
5521-11	22	6001-OR	72	6601-04	38	8046-30-ORG	66	8134-00-ORG	70
5527-10	12	6020-01	40	6602-03	60	8068-42-FLY	64	8142-01-ORG	66
5527-13	12	6020-02	40	6603-00	37	8068-42-FOR	64	8143-21-YEL	65
5527-15	12	6200-10-FOR	35	6603-00-005-TMB	37	8068-46-FLY	64	8143-22-FLY	66
5527-16	12	6200-11-FOR	35	6603-00-050	37	8068-46-FOR	64	8143-40-FLY	66
5527-17	12	6216-00	35	6603-01	37	8068-50-FLY	64	8150-20-ORG	47, 67
5527-20	12	6341-00	34	6603-01-051	37	8068-50-FOR	64	8151-02-FLY	67
5527-22	12	6341-11	34	6603-03	38	8068-54-FLY	64	8153-10-ORG	47, 67
5527-30	12	6400-00	34	6603-05	39	8068-54-FOR	64	8154-00-ORG	47, 67
5530-10	25	6400-10	34	6603-06	39	8068-58-FLY	64	8154-10-ORG	47, 67
5530-20	25	6401-00-YEL	14	6606-04-30	37	8068-58-FOR	64	8154-11-ORG	47, 67
5530-30	25	6402-02-FLB	31	6606-04-40	37	8068-62-FLY	64	8154-12-ORG	47, 67
5531-10	25	6402-02-FOB	31	6606-04-60	37	8068-62-FOR	64	8157-01-ORG	67
5531-20	25	6402-02-YLB	31	6703-001	19	8068-66-FLY	64	8160-00-ORG	68

PART NUMBER	PAGE	PART NUMBER	PAGE	PART NUMBER	PAGE	PART NUMBER	PAGE	PART NUMBER	PAGE
8160-20-BLK	68	91411	68	99079	56				
8162-00-ORG	67	91415	68	99080	56				
8162-20-BLK	68	91416	68	99081	56				
8166-01-ORG	68	91417	68	AL24A	58				
8170-00-ORG	68	91535	48	AL24M	58				
8180-20-ORG	68	91601	26	AL32A	58				
8260-46-FOR	65	91605	26	AP-10PK	15				
8260-50-FOR	65	91641	26	C400	6				
8260-54-FOR	65	92001	51	C500	6				
8260-58-FOR	65	92002	51	D10694-T	70				
8260-62-FOR	65	92021	51	D11145	11				
8365-42-FLY	63	92022	51	D11232	19				
8365-42-FOR	63	92026	51	D11233	19				
8365-46-FLY	63	92027	51	D11234	19				
8365-46-FOR	63	92031	51	D11241	19				
8365-50-FLY	63	92032	51	D11242	19				
8365-50-FOR	63	92041	51	D11243	19				
8365-54-FLY	63	92042	51	D12560	19				
8365-54-FOR	63	92043	51	D13035-BLK	65				
8365-58-FLY	63	92046	51	D13035-KHA	65				
8365-58-FOR	63	92047	51	DE-50	59				
8365-62-FLY	63	92048	51	DET-2	59				
8365-62-FOR	63	98010	50	GR 10I	52				
8365-66-FLY	63	98011	50	GR 10M	52				
8365-66-FOR	63	98012	50	GR 10T	52				
9068-02	72	98013	50	GR 15M	52				
9068-03	72	98014	50	GR 15T	52				
9500-01	72	98015	50	GR 1000	52				
9500-02	72	98016	50	GR 1000I	52				
9500-13	72	98017	50	GR 1000IT	52				
9500-17	72	98020	50	GR 1000M	52				
90004	50	98021	50	GR 1000MCF	52				
90009	50	98023	50	GR 1450	52				
90014	50	98024	50	GR 1450M	52				
90022	50	98025	50	GR 1450MCF	52				
90024	50	98026	50	GR 1450T	52				
90026	50	99000	56	ML-1	55				
90180	55	99001	56	ML-1-050	55				
90181	55	99002	56	ML-1M	55				
90182	55	99003	56						
90520	55	99004	56						
90550	42	99023	56						
90550-S	43	99043	57						
90551	42	99051	56						
90553	42	99052	56						
90558	43	99053	56						
90558-050	43	99060	57						
90558-052	43	99061	57						
90582	44	99062	57						
91014	49	99063	57						
91100	49	99064	57						
91133	48	99065	57						
91162	49	99066	57						
91163	49	99067	57						
91255	48	99068	57						
91258	48	99069	57						
91275	48	99070	57						
91402	68	99071	56						
91410	68	99072	56						





[surveying.com](https://www.surveying.com)